

Atecpool Malta

Self-priming Pump

Atecpool Malta Pump

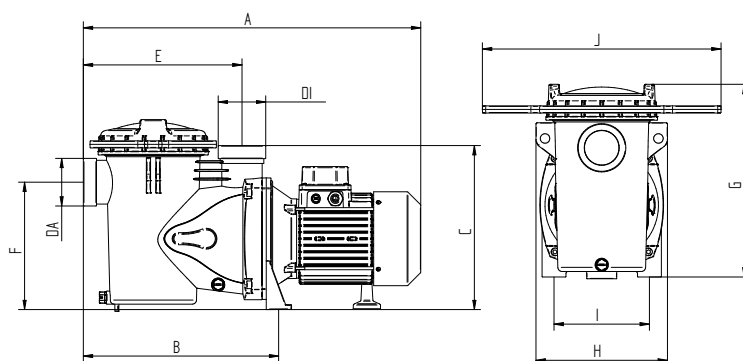


Design Features

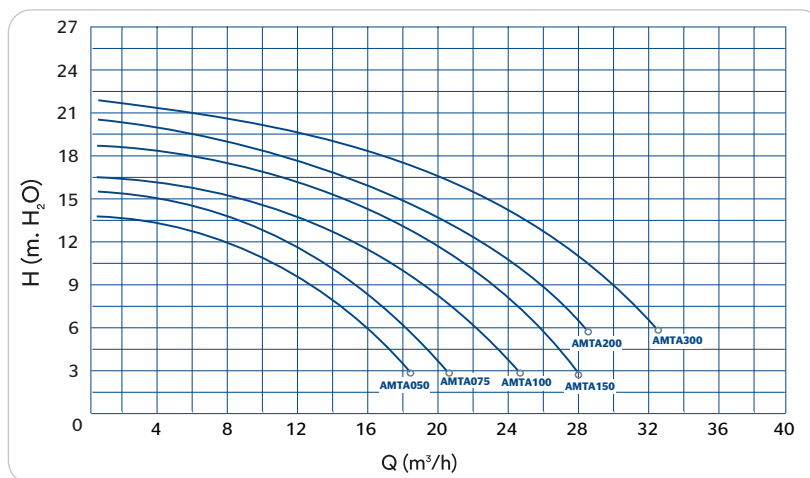
- Polypropylene + Fiberglass.
- AISI 316 stainless steel shaft
- Impeller in Noryl.
- Mechanical seal in graphite and ceramics.
- Polycarbonate prefilter.

Features

- Double connection, thread and fittings.
- 2" female thread, fittings glue DN63.
- Large pre-filter basket.
- Cataphoresis painting.
- Aluminium support base.
- Stainless steel screws AISI-304.
- IE3 Asynchronous motor at 2900 rpm (3450 rpm @ 60 Hz).
- Lubricated bearings for life.
- IP-55 grade, Class F Insulation.
- 60 Hz upon request



Performance graph



Code	Power		Manometric Height wcm											
	HP	kW	4	6	8	10	12	14	16	18	20	22	24	
AMTA050M AMTA050T	0,5	0,37	17,7	16	14	11,5	8							
AMTA075M AMTA075T	0,75	0,55	20	18,2	16,5	14	11	6						
AMTA100M AMTA100T	1	0,75	24	22	20	18	15	11	5					
AMTA150M AMTA150T	1,5	1,1	27,5	25,5	23,5	21,5	19	16	12	6				
AMTA200M AMTA200T	2	1,5	-	28,2	26,5	24,3	22,5	19	15,2	11	3			
AMTA300M AMTA300T	3	2,2	-	32,5	31	29	27	23	21	17	9,8	2		

Type	HP	kW	I	II	III	A	B	C	E	F	G	H	I	J	DNI / DNA
			230	230	400	(mm)									
AMTA050M AMTA050T	0,5	0,37	4,2 -	- 3	- 1,7	542	332	278	270	216	322	220	160	400	D63 int 2"
AMTA075M AMTA075T	0,75	0,55	5 -	- 3,5	- 2	542	332	278	270	216	322	220	160	400	D63 int 2"
AMTA100M AMTA100T	1	0,75	5,5 -	- 3,8	- 2,2	542	332	278	270	216	322	220	160	400	D63 int 2"
AMTA150M AMTA150T	1,5	1,1	7,3 -	- 5	- 2,9	542	332	278	270	216	322	220	160	400	D63 int 2"
AMTA200M AMTA200T	2	1,5	9,2 -	- 6	- 3,5	572	332	278	270	216	322	220	160	400	D63 int 2"
AMTA300M AMTA300T	3	2,2	12,2 -	- 8,6	5	572	332	278	270	216	322	220	160	400	D63 int 2"