

## Toroidal Step-down Transformer

Special transformer encapsulated in cast resin material protected by a plastic cover-box. Available from 100W up to 600W with output voltage of 12VAC, variable voltage of 13/14/15/16VAC. Variable voltage transformers resist the voltage drop between the transformer and the connection box to suit a range of different lengths and sizes of cable. wall mounting. Protection class: IP65 50/60Hz

## Atecpool Lighting Accessories





**1. ENFORCE STANDARD**

ELECTRICAL PERFORMANCE

SAFETY STANDARD: EN61558-1

**2. ELECTRICAL PERFORMANCE**

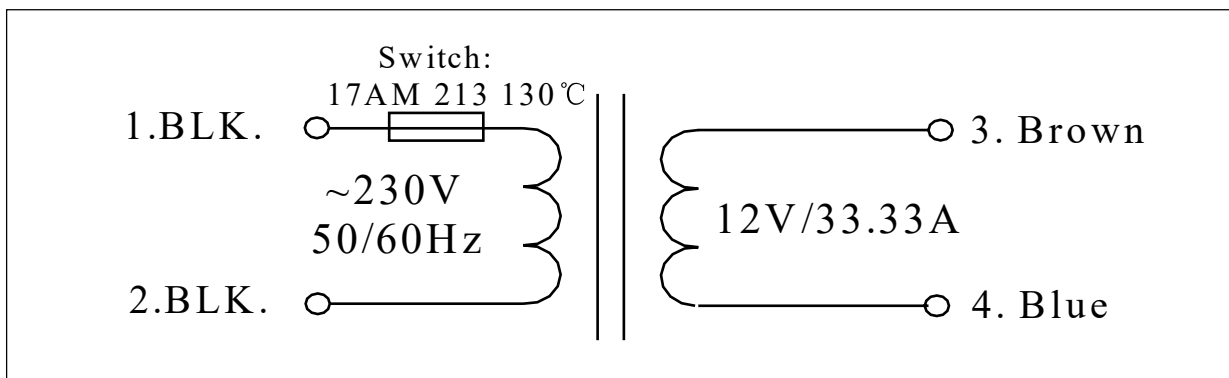
Primary rated voltage: 0~230V 50/60Hz

Exciting current: 65 mA (230V/50Hz)

Secondary rated voltage and current:

	UNLOAD VOLTAGE (V±5%)AC	LOADING VOLTAGE (V±5%)AC	RATED CURRENT (A)
S1:3~	~12.4V	0~11.8V	33.33A

**3. CIRCUIT DIAGRAM**



**4. WORKING AND SAFETY PROTECTION**

- Electrostatic Shield
- Temperature Protection
- Magnetic Shield
- Over Current Protection

**5. INSULATION**

Insulation resistance test (type test): Pri.~sec. 500V DC 100 MΩ MIN.

HI-POT TEST (100% test):

Pass our dielectric strength test, without any breakdown

Pri.~sec. AC 4.0kV for 5 seconds (leakage current 5mA MAX )

**6. TEMPERATURE RISE**

Ta=25°C Test by resistance method At rated load 4H

WINDINGS' TEMPERATURE RISE 75°C MAX.

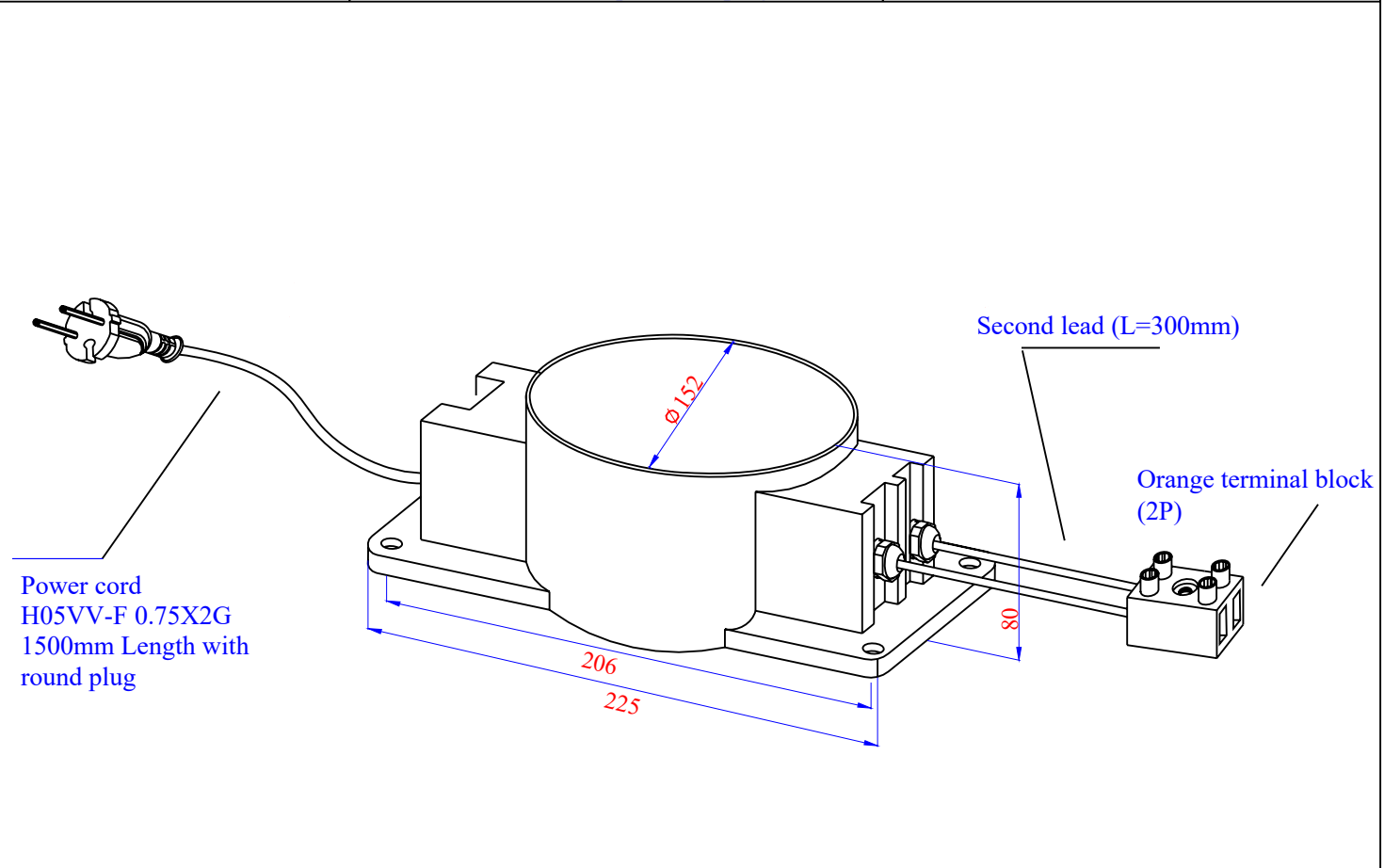
**7. MAJOR MEASUREMENT FACILITIES:**


HI-POT TESTER	INSULATION-RESISTANCE METER
VOL TMETER	DC-RESISTANCE METER
AMPEREMETER	

NOTE : Manufacturing Data Sheet - Only for internal circulation

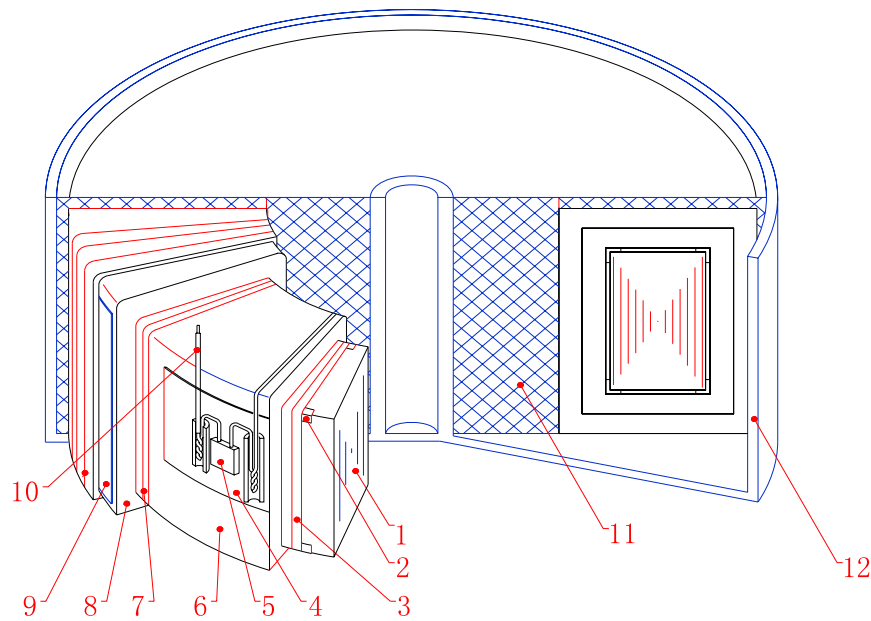


LEADS	PRIMARY	SECONDARY
LEAD NO.	1~2	3~4
COLOR	BLK~BLK	Brown~Blue
SPECS	UL 3321 18AWG	UL 3321 10AWG
LENGTH(mm)	1500	300
TERMINAL	Strip 15mm, not tinned	8mm shark tooth terminal
LEADS	Circumscribed power cord H05VV-F/0.75x2G VDE with two pin round plug	600V 50A Terminal Block 2 Poles



LABEL	WEIGHT(kG)
 <p>www.atecpool.com            LOW VOLTAGE UNDERWATER            LIGHTING TOROIDAL            SAFETY TRANSFORMER / IP-65            Code: 01983400  <b>ATECPPOOL</b>            INTERNACIONAL ESPAÑA            CE 130°C            Pri: 220V-240VAC 50-60Hz            12VAC(400VA)Max.</p>	5.5±0.5 NO ACCESSORIES

NOTE : Manufacturing Data Sheet - Only for internal circulation



No.	Denomination	Materials	Cert. No.
1	Annular core	Oriented silicon steel	JAPAN NIPPON STEEL LTD or equivalent
2	Insulation protection	Mylar 130	E188295
3	Core insulation	Polyester 7C 105	DUPONT TEIJIN FILMS U S L P E93687
4	Terminal underlay	Polyester 5C	DUPONT TEIJIN FILMS U S L P E93687
5	Thermal Switch	KWA-130 AC 250V5A	E207935
6	Primary winding	Enamelled copper wire	
7	Primary insulation	Polyester 7C	DUPONT TEIJIN FILMS U S L P E93687
8	Second winding	Enamelled copper wire	
9	Protective glue	Mylar 130	E188295
10	Primary lead	H05VV-2F/0.75	CCC 2016010105894842
		3321	E328303
	Second lead	3321	E328303
11	Epoxy embedment	Epoxy Resin	
12	Glue cover	ABS	TaiWan CHIMEI or equivalent

NOTE : Manufacturing Data Sheet - Only for internal circulation