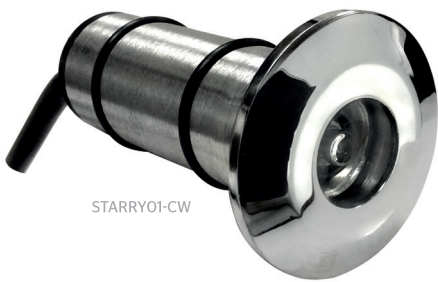


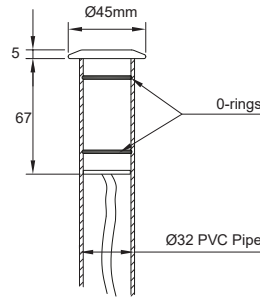
Atecpool Starry Series Spot LED Titanium

Atecpool Starry Titanium Underwater Spot LED

Spot LED titanium construction, 1W LED designed for a starry effect. Waterproof IP68. Available in cool white, warm white, red, green, blue and RGB. Suitable for installation inside the Ø32 mm pvc pipes. 5V DC power supply. Supplied with 2 m cable.



STARRY01-CW



Technical Parameters

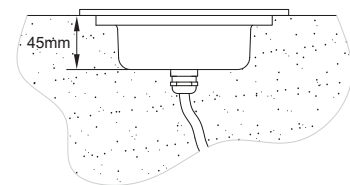
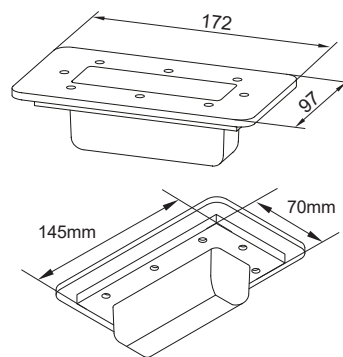
Code	STARRY01-CW	STARRY01-WW	STARRY01-R	STARRY01-G	STARRY01-B	STARRY03
Colour	Cool White	Warm White	Red	Green	Blue	RGB
Power	1W ± 10%W	1W ± 10%W	1W ± 10%W	1W ± 10%W	1W ± 10%W	3W ± 10%W
Input Voltage	5 ± 1VDC	5 ± 1VDC	5 ± 1VDC	5 ± 1VDC	5 ± 1VDC	5 ± 1VDC
Frequency	50 / 60Hz	50 / 60Hz	50 / 60Hz	50 / 60Hz	50 / 60Hz	50 / 60Hz
Lumen	≤ 60 lm	≤ 54 lm	≤ 40 lm	≤ 55 lm	≤ 13 lm	≤ 42 lm
Operation Temperature	-20 ~ 40°C	-20 ~ 40°C	-20 ~ 40°C	-20 ~ 40°C	-20 ~ 40°C	-20 ~ 40°C
Cable Specification	2 x 0.75 mm ² TTR	2 x 0.75 mm ² TTR	2 x 0.75 mm ² TTR	2 x 0.75 mm ² TTR	2 x 0.75 mm ² TTR	4 x 0.75 mm ² TTR

Atecpool Ladder Underwater Light

Designed for pool steps, 3 LED Ladder light. Construction in AISI 316 Stainless Steel, IP 68 class protection. Supplied with 2 m cable. Available in cool white, warm white, blue and RGB.



MTL001-CW



Technical Parameters

Code	MTL001-CW	MTL001- WW	MTL001-B	MTL003
Colour	Cool White	Warm White	Blue	RGB
Power	3W ± 10%W	3W ± 10%W	3W ± 10%W	9W ± 10%W
Input Voltage	12VAC	12VAC	12VAC	24VDC
Frequency	50 / 60Hz	50 / 60Hz	50 / 60Hz	50 / 60Hz
Lumen	≤ 180 lm	≤ 162 lm	≤ 39 lm	≤ 128 lm
Operation Temperature	-20 ~ 40°C	-20 ~ 40°C	-20 ~ 40°C	-20 ~ 40°C
Cable Specification	2 x 0,75 mm ² TTR	2 x 0,75 mm ² TTR	2 x 0,75 mm ² TTR	4 x 0,75 mm ² TTR