

Rainbow Fountain Variety Nozzles

Variety Nozzle

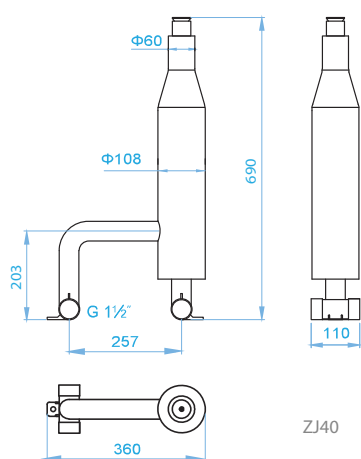


Variety Nozzles Specifications

- The Variety jet creates a dynamic variable water pattern
- The nozzle is driven by two pumps controlled with VFD
- Compact robust stainless steel Nozzle
- 2 pressure connections
- Nozzle with DN40 nipple

Code	BSP. connection	Spray Pattern	Flow/Head	SPRAY HEIGHT (m)				
				0,5	1	2	2,5	3
ZJ40	1 1/2"	Water Bell	LPM	80	123	187	220	
			Head in mtr	1,5	3	5,7	7,4	
		Single Stream	LPM		111	170	220	
			Head in mtr		4	6,5	9	

Dimensions



Water Spray Effect

