

*Inspired  
by Water*



**POOL  
SURROUND**







**ATECPOOL  
INTERNATIONAL  
GROUP**

# ATECPOOL POOL SURROUND

---



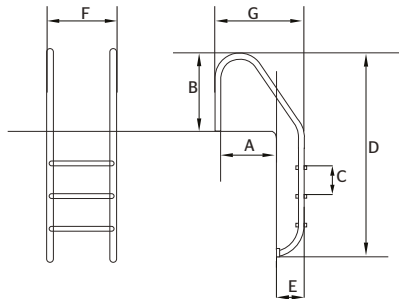
**ATECPOOL** pool side equipment in high quality grade stainless steel provides durability with best aesthetic appearance. Wide range selection of pool side equipment that will suit your custom requirements. Designed and built to enjoy a secure pool environment with maximum relaxation.

Special stainless steel ornamental pool features designed and engineered by ATECPOOL with excellence and high precision.

# Pool Access Ladders

## Standard Ladder

Atecpool ladders for residential and commercial swimming pools, made of polished stainless steel (AISI 316 or AISI 304). Handrails in polished stainless steel (Ø42mm) tube. Steps in stainless Steel with anti-slip security. Complete with anchors and earthing accessories.



Steps	A	B	C	D	E	F	G
	(mm)	(mm)	(mm)	(mm)	(mm)	(mm)	(mm)
2	410	620	250	1300	180	500	610
3	410	620	250	1550	180	500	610
4	410	620	250	1800	180	500	610
5	410	620	250	2050	180	500	610

### Deluxe S.S. 316



	Code	Weight	Volume
	AISI 316	(kg)	m <sup>3</sup>
2 steps standard	13003215-5	10.0	0.07
3 steps standard	13003215-6	11.8	0.08
4 steps standard	13003215-7	13.2	0.08
5 steps standard	13003215-8	14.0	0.10

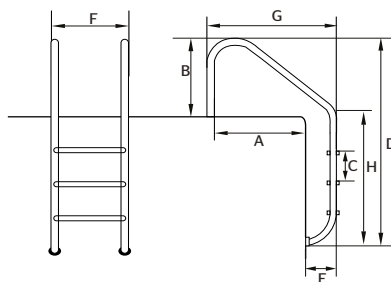
### Deluxe S.S. 304



	Code	Weight	Volume
	AISI 304	(kg)	m <sup>3</sup>
2 steps standard	13003215-1	10.0	0.07
3 steps standard	13003215-2	11.8	0.08
4 steps standard	13003215-3	13.2	0.08
5 steps standard	13003215-4	14.0	0.10

## Overflow Ladder

Overflow Ladder with 957mm extended fixing. Made of polished stainless steel (AISI 304 or AISI 316). Handrails in polished stainless steel (Ø42mm) tube and steps are in stainless steel with anti-slip security. Complete with anchors and earthing accessories.



Steps	A	B	C	D	E	F	G	H
	(mm)	(mm)	(mm)	(mm)	(mm)	(mm)	(mm)	(mm)
2	757	610	250	1390	180	500	957	710
3	757	610	250	1640	180	500	957	960
4	757	610	250	1890	180	500	957	1210
5	757	610	250	2140	180	500	957	1460

### Deluxe S.S. 316



	Code	Weight	Volume
	AISI 316	(kg)	m <sup>3</sup>
2 steps overflow	13003215-13	10.0	0.07
3 steps overflow	13003215-14	12.0	0.08
4 steps overflow	13003215-15	14.0	0.08
5 steps overflow	13003215-16	15.0	0.10

### Deluxe S.S. 304

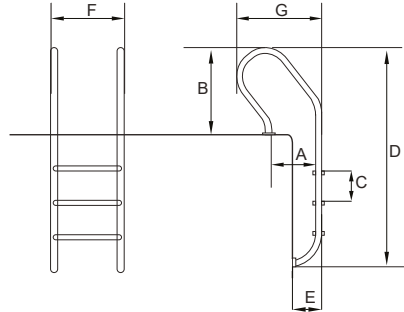


	Code	Weight	Volume
	AISI 304	(kg)	m <sup>3</sup>
2 steps overflow	13003215-9	10.0	0.07
3 steps overflow	13003215-10	12.0	0.08
4 steps overflow	13003215-11	14.0	0.08
5 steps overflow	13003215-12	15.0	0.10

# Pool Access Ladders

## Mixed Ladder

Atecpool Mixed Ladders made of polished stainless steel (AISI 304 or AISI 316), designed for embedded pools. Steps in stainless steel with anti-slip security and handrails in polished stainless steel (Ø42mm tube). Complete with anchors and earthing accessories.



Steps	A	B	C	D	E	F	G
	(mm)	(mm)	(mm)	(mm)	(mm)	(mm)	(mm)
2	120	620	250	1300	180	500	610
3	120	620	250	1550	180	500	610
4	120	620	250	1800	180	500	610
5	120	620	250	2050	180	500	610

### Deluxe S.S. 316



Code	Weight	Volume
AISI 316	(kg)	m <sup>3</sup>

2 steps mixed	13003215-21	10.0	0.07
3 steps mixed	13003215-22	11.8	0.08
4 steps mixed	13003215-23	13.2	0.08
5 steps mixed	13003215-24	14.0	0.10

### Deluxe S.S. 304



Code	Weight	Volume
AISI 304	(kg)	m <sup>3</sup>

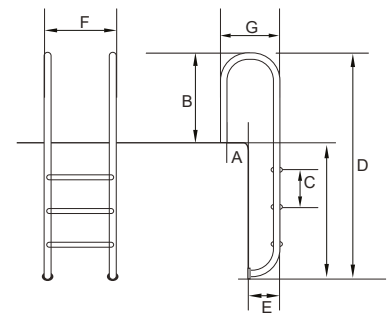
2 steps mixed	13003215-17	10.0	0.07
3 steps mixed	13003215-18	11.8	0.08
4 steps mixed	13003215-19	13.2	0.08
5 steps mixed	13003215-20	14.0	0.10

## Muro Ladder

Atecpool Muro Ladders made of polished stainless steel (AISI 304 or AISI 316), designed for embedded pools. Steps in stainless steel with anti-slip security. Handrails in polished stainless steel (Ø42mm tube). Complete with anchors and earthing accessories.



Steps	A	B	C	D	E	F	G
	(mm)	(mm)	(mm)	(mm)	(mm)	(mm)	(mm)
2	160	620	250	1300	180	500	345
3	160	620	250	1550	180	500	345
4	160	620	250	1800	180	500	345
5	160	620	250	2050	180	500	345



### Deluxe S.S. 316



Code	Weight	Volume
AISI 316	(kg)	m <sup>3</sup>

2 steps muro	13001200	10.0	0.07
3 steps muro	13001300	11.8	0.08
4 steps muro	13001400	13.2	0.08
5 steps muro	13001500	14.0	0.10

### Deluxe S.S. 304



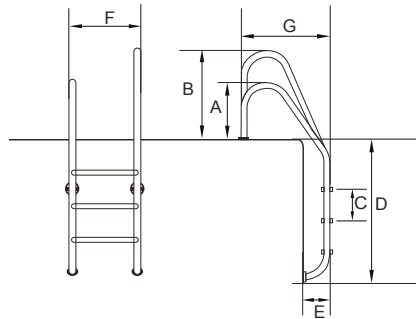
Code	Weight	Volume
AISI 304	(kg)	m <sup>3</sup>

2 steps muro	13001200-1	10.0	0.07
3 steps muro	13001300-1	11.8	0.08
4 steps muro	13001400-1	13.2	0.08
5 steps muro	13001500-1	14.0	0.10

# Pool Access Ladders

## Standard Asymmetrical Ladder

Atecpool standard asymmetrical ladders made of AISI 316 are designed for safety against slipping near pool surfaces or slopes. Steps in stainless steel with anti-slip security. Handrails in polished stainless steel (Ø42mm tube). Complete with anchors and earthing accessories.



Steps	A	B	C	D	E	F	G
	(mm)	(mm)	(mm)	(mm)	(mm)	(mm)	(mm)
2	620	920	250	1300	180	500	738
3	620	920	250	1550	180	500	738
4	620	920	250	1800	180	500	738
5	620	920	250	2050	180	500	738

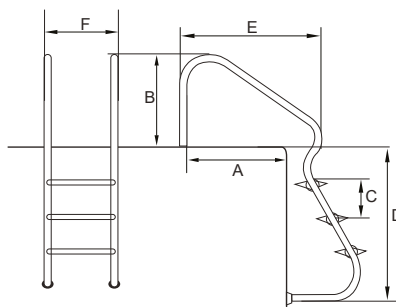
### Deluxe S.S. 316



	Code	Weight	Volume
	AISI 316	(kg)	m <sup>3</sup>
2 steps asymmetrical	13002200-1	10.0	0.07
3 steps asymmetrical	13002300-1	11.8	0.08
4 steps asymmetrical	13002400-1	13.2	0.08
5 steps asymmetrical	13002500-1	14.0	0.10

## Easy Access Ladder

Atecpool Easy access ladders made of AISI 316 and are designed with double safety steps and increased height. Steps in stainless steel with anti-slip security. Handrails in polished stainless steel (Ø42mm tube). Complete with anchors and earthing accessories.



Steps	A	B	C	D	E	F
	(mm)	(mm)	(mm)	(mm)	(mm)	(mm)
2	490	620	250	1550	852	500
3	490	620	250	1700	852	500
4	490	620	250	1950	852	500

### Deluxe S.S. 316 Double safety tread

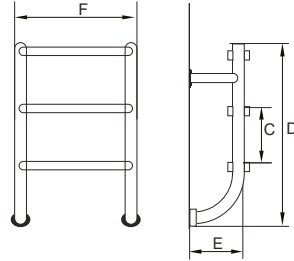


	Code	Weight	Volume
	AISI 316	(kg)	m <sup>3</sup>
2 steps easy access	13003200	15	0.07
3 steps easy access	13003300	16	0.08
4 steps easy access	13003400	17	0.08

# Pool Access Ladders

## Split Ladder - Bottom half

Rails and steps made of polished stainless steel (AISI 316). Steps in stainless steel with anti-slip security. Complete with anchors and earthing accessories. Can be used with any exit rails.



**Deluxe S.S. 316**

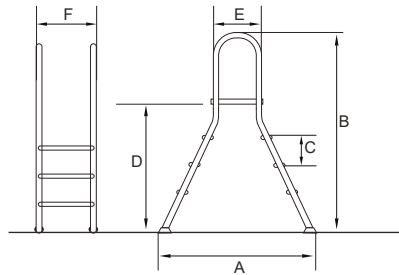


Steps	C	D	E	F
	(mm)	(mm)	(mm)	(mm)
2	250	500	180	500
3	250	750	180	500
4	250	1000	180	500
5	250	1250	180	500

	Code	Weight	Volume
	AISI 316	(kg)	m <sup>3</sup>
2 steps split	13001215	145	0.07
3 steps split	13001315	155	0.08
4 steps split	13001415	165	0.08
5 steps split	13001515	175	0.10

## Above Ground Ladder with platform

Handrails and steps, made of polished AISI 316 stainless steel with a platform in plastic. Handrails in polished stainless steel (Ø42mm tube). Complete with anchors and earthing accessories.

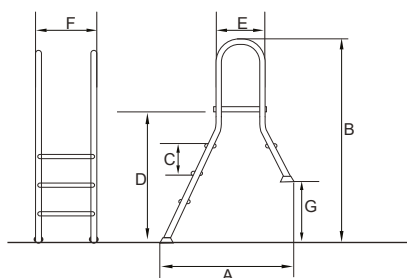


Steps	A	B	C	D	E	F
	(mm)	(mm)	(mm)	(mm)	(mm)	(mm)
3+3	1150	1680	250	1030	375	500
4+4	1360	1920	250	1270	375	500
5+5	1570	2160	250	1600	375	500

Pool Height		Code	Weight	Volume
		AISI 316	(kg)	m <sup>3</sup>
3+3 above ground	<b>1m:</b> (3+3) Steps + platform	13004300	19.0	0.07
4+4 above ground	<b>1.25m:</b> (4+4) Steps + platform	13004400	21.0	0.08
5+5 above ground	<b>1.50m:</b> (5+5) Steps + platform	13004500	23.0	0.08

## Partially in Ground Ladder with platform

Handrails made of polished AISI 316 stainless steel with platform and steps in plastic. Handrails in polished stainless steel (Ø42mm tube). Complete with anchors and earthing accessories.



Steps	A	B	C	D	E	F
	(mm)	(mm)	(mm)	(mm)	(mm)	(mm)
3+1	920	1680	250	1030	375	500
4+1	1025	1920	250	1270	375	500
5+1	1130	2160	250	1600	375	500

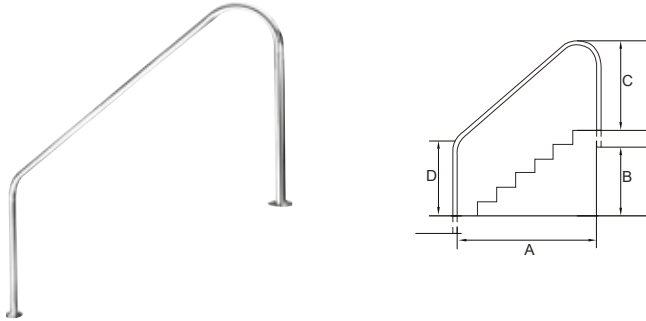
	Code	Weight	Volume
	AISI 316	(kg)	m <sup>3</sup>
3+1 partially in ground	13004315/1	19.0	0.07
4+1 partially in ground	13004415/1	21.0	0.08
5+1 partially in ground	13004515/1	23.0	0.08



# Pool Exit Grab Rails

## Exit Grab Rails Two Bends With Flange

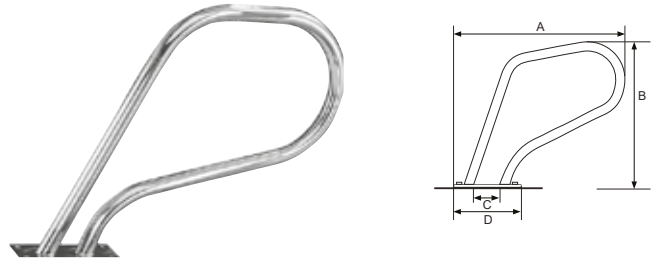
Polished AISI 316 Ø42 mm pipe with two bends for installing in and out of water. Supplied with welded flanges for repair.



Code	Length	Steps	Volume (m <sup>3</sup> )	Weight (kg)	A (mm)	B (mm)	C (mm)	D (mm)
AISI 316								
13026006	1.2 m	3	0.14	4.0	1200	660	817	752
13026006-1	1.5 m	4	0.16	4.5	1500	825	817	752
13026006-2	1.8 m	5	0.25	4.9	1800	990	817	752

## Spa Exit Grab Rail With Flange

Polished AISI 316 Ø42 mm pipe bend for SPA exit access. Supplied with welded flange for fixing outside the water.



Code	Volume (m <sup>3</sup> )	Weight (kg)	A (mm)	B (mm)	C (mm)	D (mm)
AISI 316						
13026012	0.043	4.0	809	567	254	160

## Pool Exit Grab Rail With flange

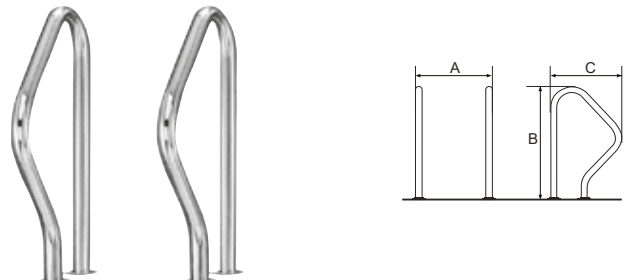
Polished AISI 316 Ø42 mm pipe bend for pool exit access. Supplied with welded flange for fixing outside the water. 1.35 m length extended for pool exit access and fixing out of the water.



Code	Volume (m <sup>3</sup> )	Weight (kg)	A (mm)	B (mm)	C (mm)	D (mm)
AISI 316						
13026008	0.05	51	1350	897	817	203

## Two Piece Grab Rail with Flange

Polished AISI 316 Ø42 mm pipe, two piece pool exit grab rail supplied as a pair with welded flanges for fixing. Used as upper half for split ladders.



Code	Volume (m <sup>3</sup> )	Weight (kg)	A (mm)	B (mm)	C (mm)
AISI 316					
13026011	0.08	70	533	800	260

## Two Piece Grab Rail Asymmetrical

Polished AISI 316 Ø42 mm pipe bend for pool exit access. Supplied as pair. Asymmetrical model with welded flanges.



Code	Volume (m <sup>3</sup> )	Weight (kg)	A (mm)	B (mm)	C (mm)	D (mm)
AISI 316						
13026014	0.138	70	810	1053	560	758

## Two Piece Grab Rail Parellel

Polished AISI 316 Ø42 mm pipe bend for pool exit access. Supplied as a pair. Parallel model with welded flanges.



Code	Volume (m <sup>3</sup> )	Weight (kg)	A (mm)	B (mm)	C (mm)
AISI 316					
13026009	0.138	70	820	984	560

# Pool Access Ladders Accessories

## Anchor Socket

Made of plastic suitable for Ø42 mm pipe.



Code	Material	Size (mm)	Volume (cm)	Weight (kg)	Unit
9900100006	ABS	Ø42	18x9x7	0.25	2

## Articulated Anchor with Flange

Made of polished stainless steel AISI 316 for Ø42 mm pipe.  
Supplied with base plate for fixing.



Code	Material	Size (mm)	Volume (cm)	Weight (kg)	Unit
9900100008	AISI 316	Ø42	18x16x9	1.01	1

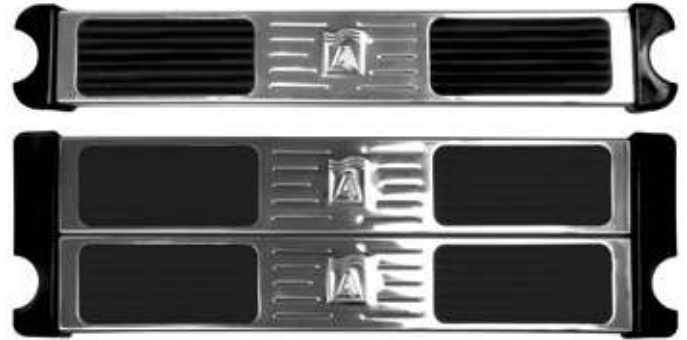
## Rubber Bumper

Made of poly rubber for the stainless steel tube ends, and fixing against pool wall.



Code	Size (mm)	Unit
99001000010	Ø65 / Ø42	30

## Deluxe Anti-Slip Step AISI 304 & AISI 316



Code	Material	Size (mm)	Volume (mm)	Weight (kg)	Unit
99001000021	AISI 304	500x86x35	0.0015	0.6	1
9900100002	AISI 316	500x86x35	0.0015	0.6	1
9900100003	AISI 304	500x160x35	0.0028	1.1	1
9900100004	AISI 316	500x160x35	0.0028	1.1	1

## Anchor with Flange

Made of polished stainless steel AISI 316 for Ø42 mm pipe.  
Includes gaskets, screws and plugs.



Code	Material	Size (mm)	Volume (cm)	Weight (kg)	Unit
9900100007	AISI 316	Ø42	15x15x10	0.752	2

## Articulated Anchor

Made of polished stainless steel AISI 316 for Ø42 mm pipe.  
Without base plate.



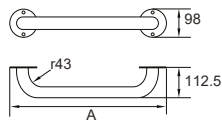
Code	Material	Size (mm)	Volume (cm)	Weight (kg)	Unit
9900100009	AISI 316	Ø42	18x16x9	1.224	2



# Pool Handrails

## Handrails

Stainless Steel AISI 316 Ø42 mm pipes. Length range from 0.5 m to 3 m, supplied with welded flange for fixing.



Code	Length (A)	Volume	Weight
AISI 316	(mm)	(m³)	(Kg)
13026001	500	0.009	1.5
13026002	1000	0.016	2.2
13026003	1500	0.023	2.8
13026004	2000	0.030	3.4
13026005	3000	0.044	4.8

## Straight Handrail Tube

Made of AISI 316 stainless steel Ø42 mm pipes. Length range from 1 m to 3 m with open ends.



Code	Length	Volume	Weight
	(mm)	(m³)	(kg)
13026019	1000	0.001764	1.17
13026020	2000	0.00353	2.34
13026021	3000	0.0053	3.51

## Handrail Tube connector straight

AISI 316 stainless steel for joining Ø42 mm pipes

Code	Size	Volume	Weight
	(mm)	(m³)	(kg)
13026022	Ø42	0.000353	0.16



## Handrail Tube connector bend

AISI 316 stainless steel for joining Ø42 mm pipes.

Code	Size	Volume	Weight
	(mm)	(m³)	(kg)
13026023	Ø42	0.00284	0.5



## Handrail Brackets with base plate

AISI 316 stainless steel brackets for Ø42 mm handrails. Straight bracket with base plate.



Code	Size	Volume	Weight
	(mm)	(m³)	(kg)
13026025	Ø42	0.0005	0.18

## Bracket closed at one end

AISI 316 stainless steel closed brackets for Ø42 mm handrails.

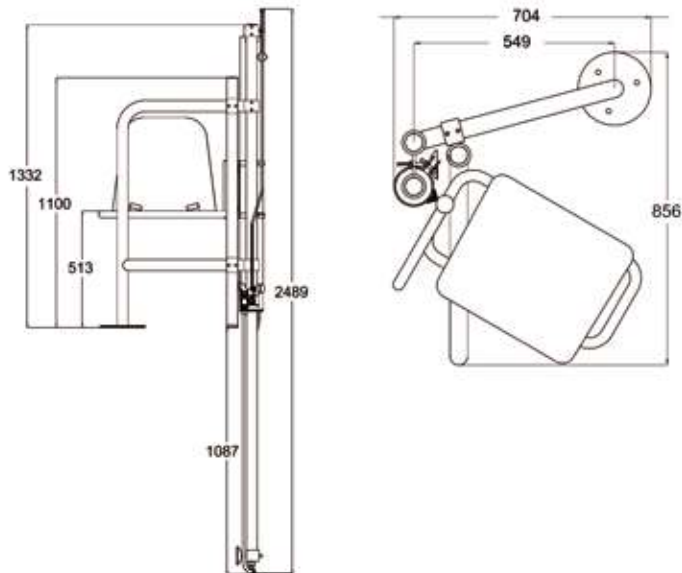


Code	Size	Volume	Weight
	(mm)	(m³)	(kg)
13026026	Ø42	0.0005	0.20

# Pool Lifts

## Hydraulic Lift

Composed of a tubular structure in stainless steel (AISI 316) anchored to the ground by three metallic anchors that hold it and three points of support, two located on the outside of the pool and a third located in the lower part of the elevator that is supported on the wall of the pool. Two commands available for actuation. One located at the top of the guide axis that allows the user to actuate it from outside of the water and other in the fastening axis, which allows the user to actuate from inside the pool. Hydraulic lift designed to adapt itself to the majority of the collective swimming pools on the market. Simple fixture (anchors screwed on the pavement and points of support).



### Specifications

- Maximum lifting capacity: 120 kg
- Rotation angle: 150°
- Structure and piston: AISI 316L
- Tubular structure: Ø48,3 x 2 mm
- Water pressure: > 3.5 to 5 bar
- Seat: Synthetic material suitable for outdoors

Code	Description	Volume (m³)	Weight (kg)
11000500	Hydraulic lift	0.659	40.5

## Battery Operated Pool Lift

Designed for installation on the decks of in-ground and aboveground pools/spas. The lift features a 160Kg weight capacity while maintaining a sleek design. ADA compliant. Ideal for use in hotels spas, and private pools.



### Specifications

- 160kg operating load capacity
- Independent third party usage
- Setback range 37 to 48 cm
- Flip-up armrest
- All stainless steel construction
- Adjustable footrest & lap belt
- Water resistant handset
- Rechargeable battery with wall mounted charger

### Colors

Available in a variety of accent colors. Blue is the standard color.



Code	Description	Weight (kg)
411ATI	Battery Operated Pool Lift / No Anchors	80
04CA	Anchor Kit Standard 4 Points	8

# Life Saving Accessories

## Lifebuoy Holder Post

AISI 304 stainless steel base plate with 3 holes. Supplied with gaskets, anchor plugs and screws.



Code	Size	Weight	Volume
	(mm)	(kg)	(m <sup>3</sup> )
001994020	Ø42	2.5	0.01

## Lifebuoy Ring

Made of styropor material, soft and covered with polyethylene canvas.



Code	Weight	Volume	Exterior	Interior
	(kg)	(m <sup>3</sup> )	(Ø mm)	(Ø mm)
13013690	2.0	0.06	700	460

## Lifebuoy Ring Holder

Designed to be hung on a wall or fitted on to a lifebuoy holder post.



Code	Material	Weight	Volume
		(kg)	(m <sup>3</sup> )
00194010	AISI 304	0.7	0.09

## Lifebuoy Ring Holder

Made of aluminum for holding a lifebuoy ring, to be hung on the wall or on the post.



Code	Material	Weight	Volume
		(kg)	(m <sup>3</sup> )
00194010-1	Aluminum	0.4	0.09

## Lifebuoy Hook

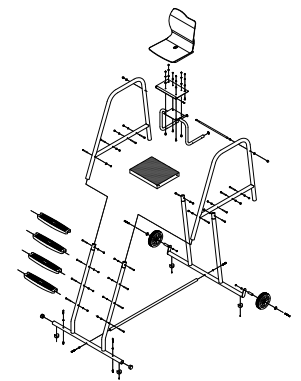
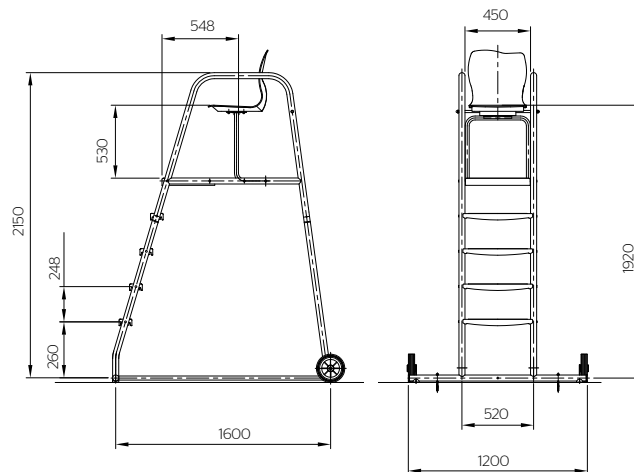
Stainless steel hanger with clip-type connection to telescopic poles.



Code	Material	Weight	Volume
		(kg)	(m <sup>3</sup> )
00194011	AISI 304	1.46	0.03

## Lifeguard Chair

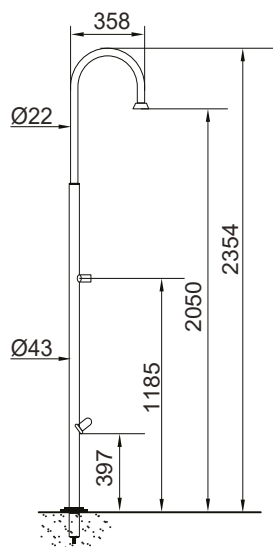
Made of stainless steel AISI 304, Ø43 mm pipe. Wheeled base with steps, platform and chair made of plastic. Lifeguard Chair equipped with wheel locking mechanism and umbrella slot as optional additions. AISI 316 on request.



Code	Description	Height
		(m)
13077010	Atecpool Lifeguard Chair in AISI 304	1.8
13077010-1	Atecpool Lifeguard Chair in AISI 316, wheel locking, umbrella provision	1.8

# Atecpool Shower & Curtains

## Stainless Steel



### Standard Shower Single Head

With Feetwasher

#### Specifications

- Stainless steel tube AISI 304L Ø43 mm
- Shower taps: chrome-plated brass w/ trims
- Feetwasher: taps chrome-plated brass

Code	Type	Weight (kg)	Volume (m³)
00127040	Manual	5.1	0.04

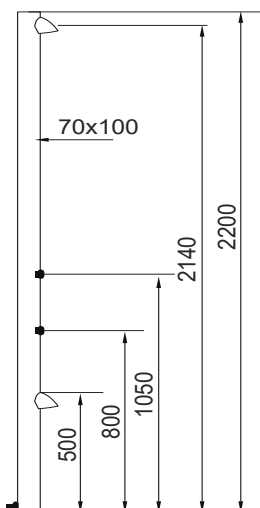
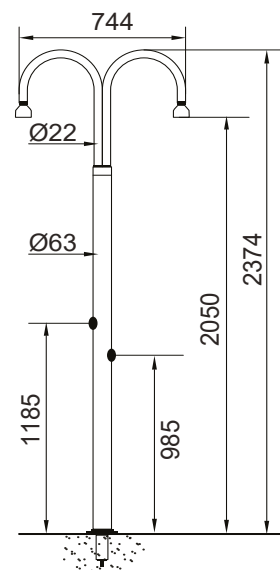
### Shower Double Head

With Feetwasher auto & manual

#### Specifications

- Stainless steel tube AISI 304L Ø63 mm
- Taps: Independent automatic valve, chrome-plated with trims

Code	Type	Weight (kg)	Volume (m³)
00126042	Manual	8.0	0.05
00127042	Automatic	8.0	0.05



### Oval Shower

With Feetwasher

#### Specifications

- Stainless steel tube AISI 304L Ø84 mm
- Shower taps: chrome-plated automatic valve w/ trims
- Feetwasher: Taps chrome-plated automatic valve with trim

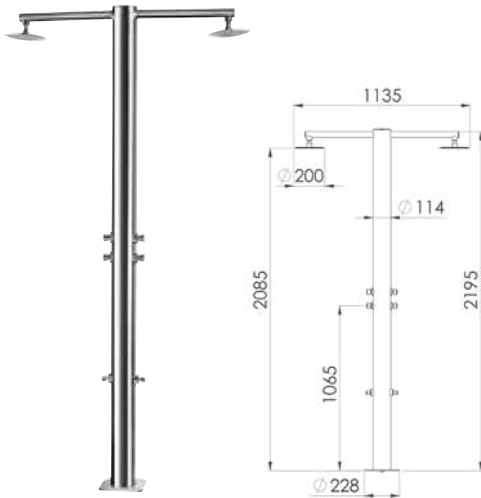
Code	Type	Weight (kg)	Volume (m³)
00126045	Automatic	12	0.083



# Atecpool Shower & Curtains

## Stainless Steel

### Nettuno Luxury Shower

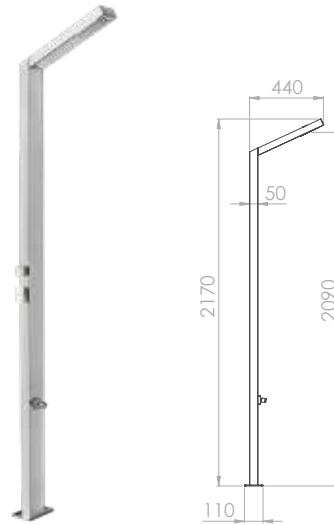


#### Specifications

- Stainless steel AISI 316L, 2 mm thickness.
- Variations: temporized tap, shower head 200 mm diameter in stainless steel AISI 304 with silicone antilimestone rubber, foot washer with aerator.

Code	Type	Weight (kg)	Volume (m³)
00126039	Nettuno Shower	29	0.05

### Saturno Luxury Shower

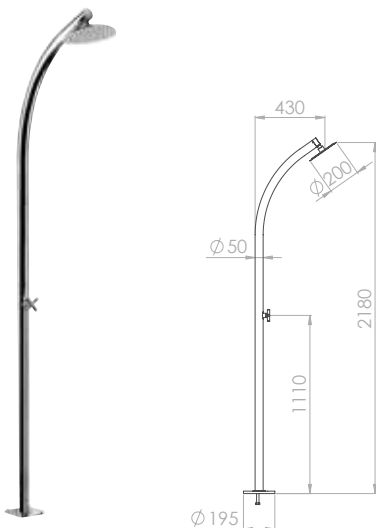


#### Specifications

- Stainless steel AISI 316L, 2 mm thickness.
- Variations: lateral or frontal mixer tap, recessed showerhead in stainless steel with silicone anti-limestone rubber, foot washer with aerator, and a diverter.

Code	Type	Weight (kg)	Volume (m³)
00126047	Saturno Shower	11	0.05

### Hera Luxury Shower

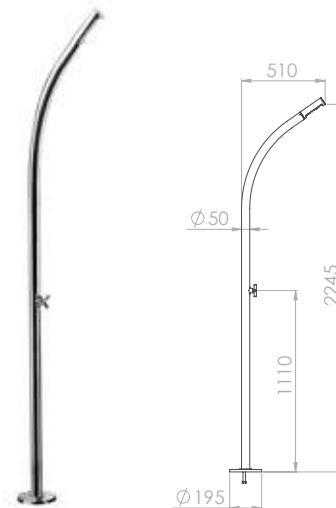


#### Specifications

- Stainless steel AISI 316L, mirror polished, 2 mm thickness.
- Variations: Screw stopcock or temporized tap, 200mm diameter shower head in stainless steel AISI 304 with silicone anti-limestone rubber or recessed shower head.

Code	Type	Weight (kg)	Volume (m³)
00126049	Hera Shower	10	0.05

### Hera Rece Luxury Shower



#### Specifications

- Shower with recessed shower head AISI 316L stainless steel column glossy, 2 mm thick.
- Recessed shower top.
- Vitone tap Water lace 1/2".

Code	Type	Weight (kg)	Volume (m³)
00126048	Hera Rece Shower	10	0.05

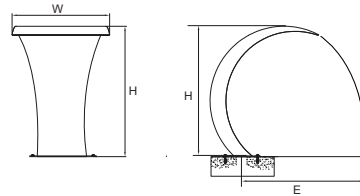
# Ornamental Water Features

## Water Curtains

Special stainless steel ornamental pool features designed and engineered by ATECPPOOL with excellence and high precision. Made of AISI 316 stainless steel for massage and relaxation with the best aesthetic looks. Available in mat or mirror polished finish. Selection of pump based on the flow mentioned. Anchor included.

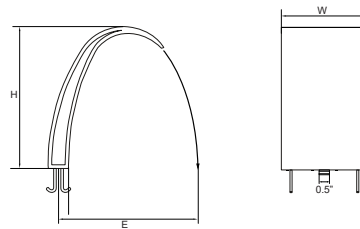
- Water curtain w/ 400mm width - connection size 1.5"
- Water curtain w/ 500/600mm width - connection size 2"

### Water Curtain Bali



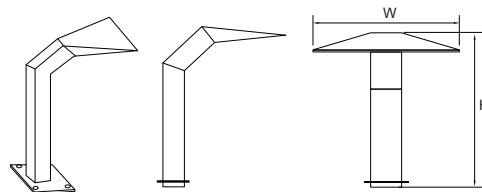
Code	Flow	Height	Width	Distance
AISI 316	(m <sup>3</sup> )	H (mm)	W (mm)	E (mm)
0124040	16	400	400	420
0125050	18	500	500	440
0126060	21	600	600	550
0126070	21	700	600	630
0126080	21	800	600	840
0126090	21	900	600	880
01260100	21	1000	600	910
01260120	21	1200	600	970
01260140	21	1400	600	1030

### Water Curtain Classy



Code	Flow	Height	Width	Distance
AISI 316	(m <sup>3</sup> )	H (mm)	W (mm)	E (mm)
0176060	21	600	600	560
0176070	21	700	600	680
0176080	21	800	600	840
0176090	21	900	600	990
01760100	21	1000	600	1210
01760120	21	1200	600	1400
01760140	21	1400	600	1580

### Water Curtain Straight



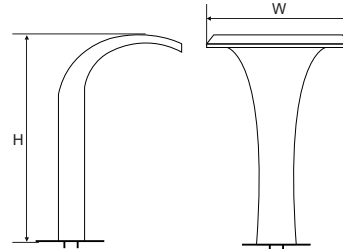
Code	Flow	Height	Width
	(m <sup>3</sup> )	H (mm)	W (mm)
0186060	18	600	500
0186070	18	700	500
0186080	18	800	500
0186090	21	900	600
01860100	21	1000	600
01860120	21	1200	600

# Ornamental Water Features

## Water Curtains

### Water Curtain Eco

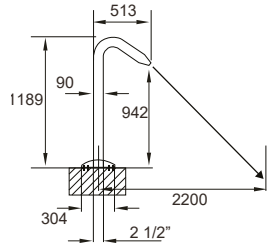
Made of AISI 316 stainless steel for massage and relaxation with the best aesthetic looks. Available in mat or mirror polished finish. Selection of pump based on the flow mentioned. Connection 2". Anchor Included.



Code	Flow (m <sup>3</sup> )	Height H (mm)	Width W (mm)
0136080	21	800	600
0136090	21	900	600
01360100	21	1000	600
01360120	21	1200	600
01360140	21	1400	600

### Cannon Jet Capri

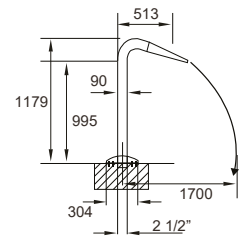
Made of AISI 316 stainless steel with circular nozzle-type mouth for maximum pressure, anchor included.



Code	Flow rate (m <sup>3</sup> /h)	Weight (kg)	Volume (m <sup>3</sup> )
AISI 316			
14200029	20	0.8	0.005

### Cannon Jet Capri Flat

Made of AISI 316 stainless steel with flat mouth, anchor included.



Code	Flow rate (m <sup>3</sup> /h)	Weight (kg)	Volume (m <sup>3</sup> )
AISI 316			
14200030	22	0.8	0.005

### Anchor for Water Curtain

Made of AISI 316 stainless steel with two connections (1.5" and 2") for Water Curtains.



Code	Connection (inch)	Weight (kg)	Water Curtain Width (mm)
AISI 316			
1420020-1	1.5	4.25	400
1420020-2	2	4.75	500 / 600

### Circular Anchor

Circular Anchor in AISI 316 stainless steel. Female connection 2.5".



Code	Connection (inch)	Weight (Kg)	Volume (m <sup>3</sup> )
AISI 316			
14200028	2.5	3.25	0.018

# Ornamental Water Feature

## Waterfall Collection

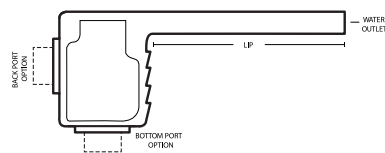
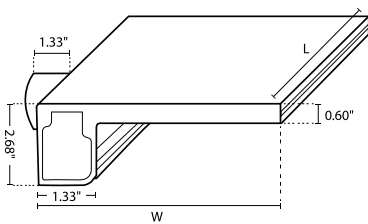
### Waterfall Collection

The Atecpool Waterfall collection is an elegant addition to your new or remodeled pool or spa. With our Waterfall Collection, you can add a peaceful atmosphere to your pool or a bold looking water feature that brings excitement & uniqueness to your project. The Waterfall Collection includes 4 types: Classic Waterfall, Arch Waterfall, Rainfalls & Streamfalls.

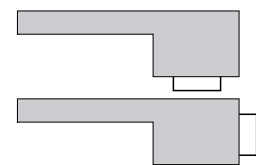
### Classic Waterfall

#### Specifications

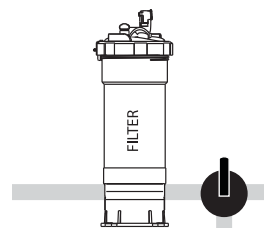
- Construction in heavy-duty PVC.
- Selected lip sizes can be radius curve cut.
- Available in clear, gray & tan color options on request.
- Both rear & bottom inlet options available.
- Various size options, up to 5 ft. length.



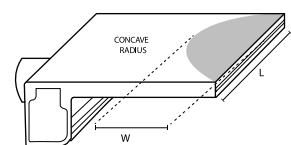
Color	Description	Result at 1 Meter Height	Width	Length
Rear Inlet	Bottom Inlet	GPM / Projection	(inches)	(inches)
4600-1201	4601-1201	12" waterfall with 1" lip	3.15"	12.36"
4600-1206	4601-1206	12" waterfall with 6" lip	8.07"	
4600-1209	4601-1209	12" waterfall with 9" lip	11.07"	
4600-1212	4601-1212	12" waterfall with 12" lip	14.07"	
4600-1801	4601-1801	18" waterfall with 1" lip	3.15"	18.23"
4600-1806	4601-1806	18" waterfall with 6" lip	8.07"	
4600-1809	4601-1809	18" waterfall with 9" lip	11.07"	
4600-1812	4601-1812	18" waterfall with 12" lip	14.07"	
4600-2401	4601-2401	24" waterfall with 1" lip	3.15"	24.13"
4600-2406	4601-2406	24" waterfall with 6" lip	8.07"	
4600-2409	4601-2409	24" waterfall with 9" lip	11.07"	
4600-2412	4601-2412	24" waterfall with 12" lip	14.07"	
4600-3601	4601-3601	36" waterfall with 1" lip	3.15"	35.67"
4600-3606	4601-3606	36" waterfall with 6" lip	8.07"	
4600-3609	4601-3609	36" waterfall with 9" lip	11.07"	
4600-3612	4601-3612	36" waterfall with 12" lip	14.07"	
4600-4801	4601-4801	48" waterfall with 1" lip	3.15"	47.36"
4600-4806	4601-4806	48" waterfall with 6" lip	8.07"	
4600-4809	4601-4809	48" waterfall with 9" lip	11.07"	
4600-4812	4601-4812	48" waterfall with 12" lip	14.07"	
4600-6001	-	60" waterfall with 1" lip	3.15"	59.88"
4600-6006	-	60" waterfall with 6" lip	8.07"	
4600-6009	-	60" waterfall with 9" lip	11.07"	
4600-6012	-	60" waterfall with 12" lip	14.07"	



Back or Bottom Port



Filtered Water Only



Radius Cut Compatible

**Important:** Atecpool waterfalls are to be used only with filtered water

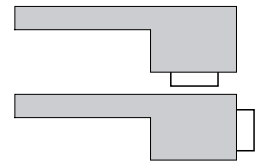
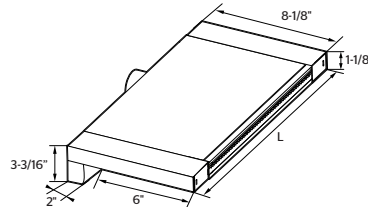


# Ornamental Water Feature

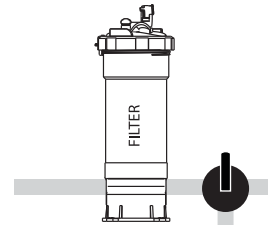
## LED Waterfalls

### LED Waterfalls

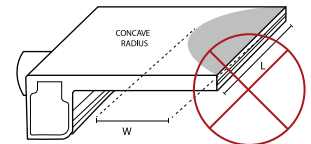
The LED Waterfalls are the premier lighted waterfalls in the pool industry. The LED Strip is built into the unit (instead of using external fiber optics), placing the light as close to the water as possible. Amazingly, this impeccable LED does not need any external accent light source.



Back or Bottom Port



Filtered Water Only



Radius Cut Not Compatible

### Features

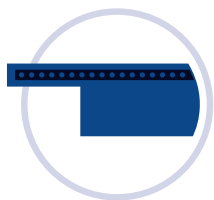
- Easy service of LED light - front side
- Extra durable LED strip
- Various light shows & bright LED Colors
- Various size options, up to 6 ft. length
- Unique saw tooth lip design - enhances light color

### Specifications

- 10W per ft. / 12V
- 1.5" Spigot plumbing
- **Standard 6" Lip (cannot modify)**
- Control options - Brilliant Sync / 100W Color wheel



### Every LED Waterfall Includes



1 Waterfall Unit



1 Rock Trap



305 M. Cable



To be purchased separately

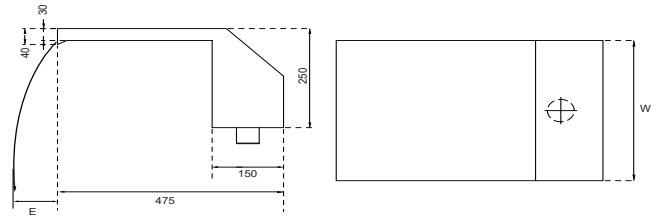
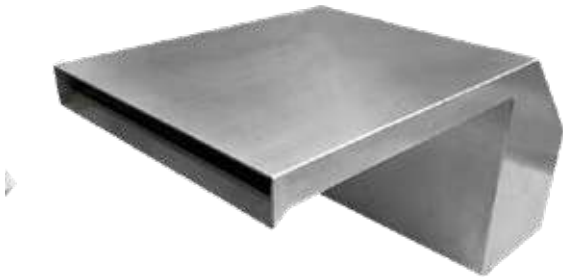
Colour	Description	No. of Ports	Width	Length	Flow Rate	
Rear Inlet	Bottom Inlet		(inches)	(inches)	m <sup>3</sup> /h	
5600-1201	5600-1202	12" LED Waterfall	1	8-1/8"	16.43"	2.73 - 3.14
5600-1801	5600-1802	18" LED Waterfall	1	8-1/8"	22.29"	4.09 - 5.11
5600-2401	5600-2402	24" LED Waterfall	1	8-1/8"	28.83"	5.45 - 6.81
5600-3601	5600-3602	36" LED Waterfall	1	8-1/8"	41.23"	5.91 - 10.22
5600-4801	5600-4802	48" LED Waterfall	2	8-1/8"	53.63"	10.90 - 13.63
5600-6001	5600-6002	60" LED Waterfall	2	8-1/8"	65.94"	13.63 - 17.03
5600-7201	5600-7202	72" LED Waterfall	2	8-1/8"	75.44"	15.90 - 19.31

# Ornamental Water Feature

## Stainless Steel Waterfalls

### Waterfall AISI 316

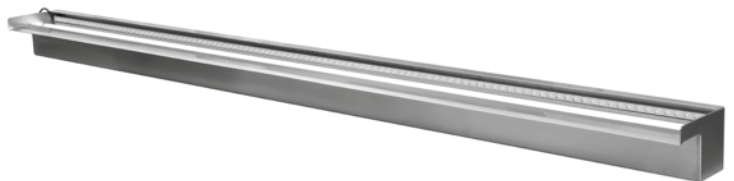
AISI 316 stainless steel. Available in two widths: 300 mm and 600 mm. Water supply through the return circuit of the pool filter or through dedicated pump.



Code	Width (mm)	Connection (inches)	Distance E (mm)	Flow Rate (m <sup>3</sup> /h)	Weight (kg)
14200023	300	1.5"	270	7	6.9
14200024	600	2"	250	10	11.9
14200025	900	2.5"	260	17	16.9

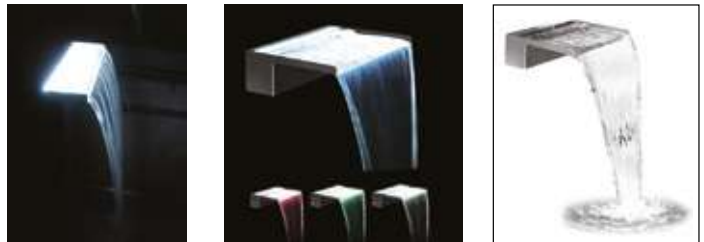
### Stainless Steel Waterfalls

Stainless Steel AISI 316 sheer descent creating stunning water blades. Can be installed indoor or outdoor. Stainless Steel Waterfalls are easy to install, durable and custom made. Either recessed into the wall or protruded outside. Stainless steel water blades creates water curtain effects, optional with brilliant LED colour changing.



### Optional LED Light Installation on Stainless Steel Weirs

- Install the LED light strip into the channel at rear of the weir with LED's facing towards the front.
- Secure the LED strip with the metal tabs on the channel.
- Connect power cable of the LED light strip to transformer supplied along with.



# ColorWheel LED Waterfall Control

## LED Waterfalls Control & Accessories

### ColorWheel LED Waterfall Control

#### Fully Programmable Controller

Use the remote control to save and recall your favourite colors & shows at any point in time.

#### Total Dimming & Color Control

Select any custom color in the rainbow wheel, Control color changing speed & set custom brightness with dimming controls all with the help of the touch sensitive colour wheel remote.

### Features

- Programmable lighting control.
- Total control of LED colours.
- Control Brightness, cycle & colours.
- Remote with touch-sensitive colour control wheel.
- Program & save settings.
- Up to 27.5 m depending on installation.



Code	Description
5600-RC	Colour wheel Remote for LED waterfall
5600-PS	150W - 12V DC Power Supply for LED waterfall
5600-CT	Controller for LED waterfall
5600-BX	Plastic Power Supply Box



# Ornamental Water Features

## LED Laminars

### LED Laminars

LED Laminar fountain are an elegant water feature that create a sleek glass rod water effect with LED Light projection. Engineered for perfection, the LED Laminar is an exceptional water feature.

### Specifications

- Bright impressive RGBW LED Lights.
- AISI 316 Stainless Steel Nozzle.
- Quick & easy install, clean & service.
- Can be installed in pool deck or landscaping areas.

**ATECPPOOL**  
WONDERS



12" LED Bubbler Cross Section View

#### 1 Stainless Steel Precision Nozzle

A high performance stainless steel nozzle, the premier choice for quality and durability

#### 2 Premier Filter Media

Six layers of soft and safe filtration media that are easy to clean and inexpensive to replace.

#### 3 Tangential Flow Engineering

Precisely engineered flow minimizes turbulence for a glass-like laminar flow, increasing light transfer and minimizing water entry splash.

#### 4 Beam-focusing Lens

Our unique beam-focusing lens design places the light source closer to the laminar nozzle, concentrating every photon for maximum LED light transfer and eye popping brightness.

#### 5 IP68 Waterproof Quick Disconnect

Absolutely the easiest LED laminar light to install and service. For the first time ever, you can use the quick-disconnect cord.



### Specifications

- 8W Multi-Colour LED Light.
- 30 Meter long cable with IP68 disconnect.
- 12V AC Transformer required (not included)
- No fixtures or grounding required.
- Maximum surge height is 2.13 m.
- Standard LED Laminar includes nine different colours, five light shows.
- Maximum surge distance is 2.44 Meter.
- Adjustable vertically up to 30° in 5° increments.
- Adjustable horizontally - Full Range.

Code	Description
6600-12	12" LED Laminar

### Installation Specifications

- Ships fully assembled
- Maximum stream height 7 feet
- Maximum stream distance 8 feet
- Vertical adjustable up to 30 degrees in 5 degree increments
- Full range of horizontal adjustability
- Deck or landscaping installation



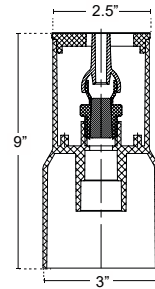
# Ornamental Water Features

## Adjustable Deck Jets

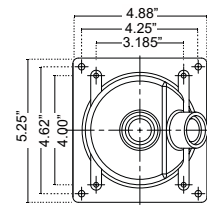
### Adjustable Deck Jets

The deck fountain that can be adjusted at the nozzle while running. Simply set the water flow at the pump as per requirement and fine tune with the adjustable nozzle which is built into the deck fountain. Designed and engineered with perfection for easy installation and stress free use in residential and commercial pools. Multiple plumbing options for easier installation.

This water feature has an eyeball nozzle hidden from view by a decorative cap. 3-5 GPM creates a stream up to 10 feet high.



Deck Jet Dimensions



Wall Jet Bottom Dimensions



### Specifications

- Includes body, movable adjustable & four decorative caps (white, black, gray, tan)
- Individually packaged
- 4" hole size
- Cap size is 2.5" diameter
- 3/4" Water line (adjustable)
- To regulate, first control the flow with a ball valve, then fine tune at the nozzle

	3 GPM	4 GPM	5 GPM
Head	3.9 ft.	7.9 ft.	11 ft.
Height	3 ft.	6.5 ft.	10 ft.

Code	Description	
7600-01	Adjustable Deck Jet Assembly with 4 Decorative Caps	-
7600-02	Adjustable Deck Jet Assembly with Brass Decorative Cover	-
7600-103	Round Deck Jet Cover	White
7600-104	Round Deck Jet Cover	Gray
7600-105	Round Deck Jet Cover	Black
7600-106	Round Deck Jet Cover	Tan
7600-107	Round Deck Jet Cover	Brass

\* Deck Wrench Included with both above models.



### Adjustable Brass Deck Jet

This Adjustable Brass Deck Jet projects a very elegant two-tier water effect. It has adjustable angle, adjustable flow & it is compatible with interchangeable nozzles.



### Specifications

- Solid Brass Nozzle & Face
- Simple to Install & Operate
- Adjustable Direction & Flow
- Beautiful Fountain Effect

Code	Description
8600-01	Adjustable Brass Deck Jet Square Face with Flange
8600-02	Adjustable Brass Deck Jet Square Face Flangeless
8600-03	Adjustable Brass Deck Jet Round Face with Flange
8600-04	Adjustable Brass Deck Jet Round Face with Flangeless
8600-011	Interchangeable 5 Set Nozzles (Black Colour)



# Ornamental Water Features

## Nozzle & Accessories



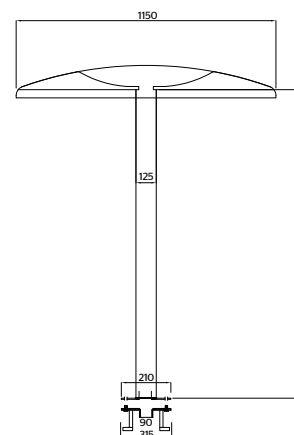
### Mushroom Umbrella water feature

Base of umbrella made in AISI 316 and top canopy in polyester fiberglass with a polished finish (colour selection of top canopy upon choice). Mushroom water feature made of two parts: the base and the canopy. The base height will be determined by the diameter of the canopy. Our standard model base and canopy as given, special size upon request.

#### Specifications

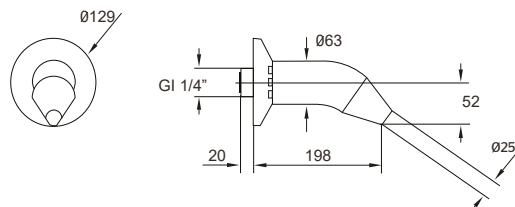
- Anchor included
- Connection female 2 1/2"
- Water flow: 34 m<sup>3</sup>/h
- Recommended pump: 2.2 kW

Code	Description	Weight (kg)
012997	Mushroom Waterfall w/ canopy polyester	40



### Circular Nozzle

AISI 316 stainless steel. Female connection of 1 1/4". Recommended pump 0.55 kW

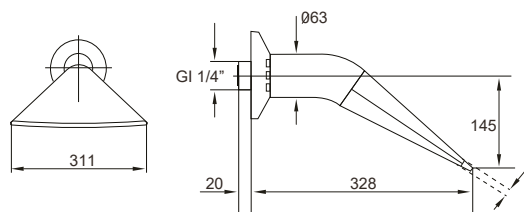


Code	Flow rate (m <sup>3</sup> /h)	Weight (kg)	Volume (m <sup>3</sup> )
AISI 316			
14200034	12	0.8	0.005



### Flat Nozzle

AISI 316 stainless steel. Female connection of 1 1/4". Recommended pump 0.75 kW



Code	Flow rate (m <sup>3</sup> /h)	Weight (kg)	Volume (m <sup>3</sup> )
AISI 316			
14200035	20	2.10	0.04

# Atecpool Pool Alarm

## Pool Security



Wi-Fi connection

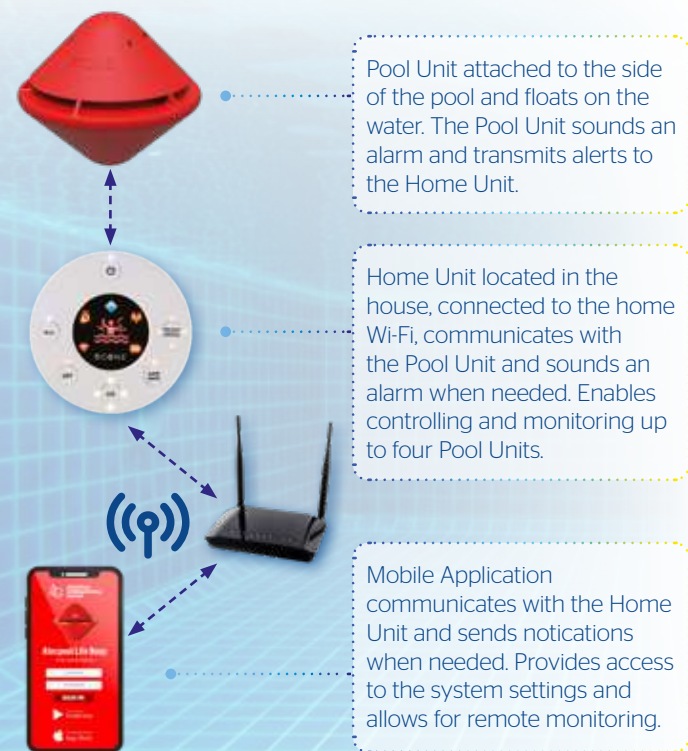
### Highlights

- Up to 4 pool units can be connected to one home unit.
- 85dB alarm at 10 feet.
- Connects to Alexa and Google Assistant.
- Smartphone connectivity to fully control the system.
- Advanced algorithm prevents false alerts.
- Portable so you can take it with you.
- One pack includes: Pool alarm and Panel.

### Atecpool Pool Alarm

Code	Description
ATEC ALARM 090	Pool Alarm Connect

### Atecpool Pool Alarm Overview



### Atecpool Pool Alarm



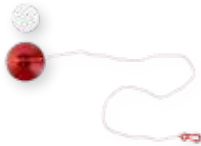


Integrates intelligence, versatility, and functionality into a topnotch pool safety solution. Based on advanced sensors and complex algorithm, pool alarm provides maximum protection for children and pets with minimum user effort. Highly sophisticated yet simple to operate, the system can be installed and operated in a matter of minutes.



### Features

- 5 sensitivity levels ensure that an alarm is triggered only when a large enough object enters or falls into the pool.
- LED lights on both the pool unit and home unit provide an extra measure of visibility.
- Swim mode prevents the alarm from sounding when the pool is in use.
- Made of highly durable materials for maximum reliability.
- Alarm reactivates automatically several minutes after the pool has been vacated.

### Atecpool Pool Alarm Kit

	Item	Quantity
	Pool Unit	1
	Home Unit	1
	Attachment Kit	1
	Type C USB Cable	1
	Quick Start Guide	1

### When Pool Alarm is triggered

- The Home Unit and Pool Unit sound an alarm. The LED's blink red.
- Mobile application displays a notification.



# Overflow Channel Grating

## Overflow Grating

Made of UV-protected high grade PP. 45 units in single linear meter. standard color - White, any color can be custom made upon request. Available in 3 different heights - 22 mm, 24 mm and 30 mm.



Code	Height (mm)	Width (mm)	Std. Packing linear meter
01593718	22 (end cut type)	195	10
01593725	22 (end cut type)	245	10
01593730	24 (end cut type)	300	10
01593735	24	195	10
01593740	24	245	10
01593745	24	300	10
01593747	30	195	10
01593748	30	245	10

## Double Link Overflow Grating

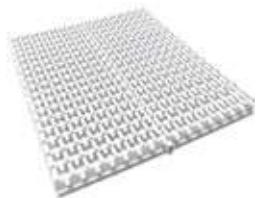
Made of UV- protected high grade PP with double links fastened together by cable. 45 units in single linear meter. Standard color white, any color can be custom made upon request. Available in 24 mm height.



Code	Height (mm)	Width (mm)	Std. Packing Linear meter
01593650	24	195	10
01593655	24	245	10
01593658	24	295	10

## Anti-Spill Grating

Made of UV- protected ABS. 45 units in single linear meter. Standard color - white, any color can be custom made upon request. Anti spill design avoids water spilling on to the deck area. Available in 30 mm height.



Code	Height (mm)	Width (mm)	Std Packing Linear meter
01593618	30	195	10
01593625	30	245	10
01593630	30	295	10
01593635	30	335	10

## Stainless Steel Channel Grating

Made of AISI 316 stainless steel as straight sections for overflow channels. Available in standard 1000mm Length and 25mm Height. Custom made length upon request to fit the length of the pool. Three different widths available - 150, 200 and 250mm.



Code	Width (mm)	Length (mm)	Std Packing Linear meter
01593888	150	1000	1
01593898	200	1000	1
01593889	250	1000	1

## Grating Support Profile

Grating Profile made of PP with internal dimensions 24 mm x 22 mm. Supplied in 2 m lengths. Suitable for 22 and 24 mm height grating. Color choice possible upon request.



Code	Size (internal mm)	Std. Packing Linear meter
01593777	24 x 22	24

## 45° Corner Tiles

For overflow channels. Made of UV-protected high grade PP. Height - 24 mm



Code	Height (mm)	Width (mm)	Unit
01596195	24	200	1
01596245	24	250	1
01596295	24	295	1

## 90° Corner Tiles

For overflow channels. Made of UV-protected high grade PP. Height - 24mm



Code	Height (mm)	Width (mm)	Unit
01596195-1	24	200	1
01596245-1	24	250	1
01596295-1	24	295	1

# Diving Boards & Slides

## Flexible Diving Board with Rails

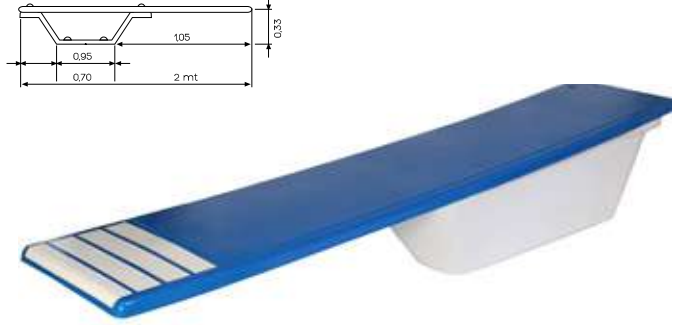
Diving board made of fiberglass and polyester with rails and support in polished stainless steel. Non-slip surface with extra strips for the diving area at the end of the board. Diving board supports maximum weight of 120 kg. Supplied with anchoring fixtures. Length 2 m. Width 0.60m



Code	Dimensions	Weight	Volume
	(m)		
00199024	L: 2m / W: 0.60m	50	1.585

## Diving Board with Base

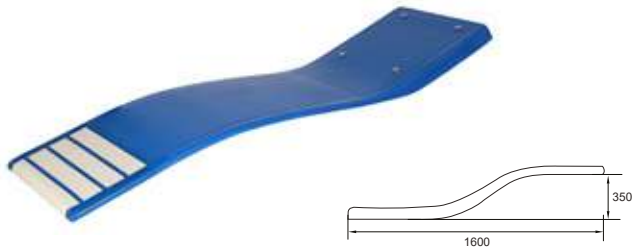
Diving board made of fiberglass and polyester with base for fixing. Non-slip surface with extra strips for the diving area at the end of the board. Diving board supports maximum weight of 120 kg. Supplied with anchoring fixtures.



Code	Description	Dimensions		Weight
		Length	Width	
00190018	Atecpool Diving Board with Base L: 2.0, W:0.39 M	2000 mm	390 mm	29
00190119	Atecpool Diving Board with Base L: 4.0, W:0.39 M	4000 mm	390 mm	50

## Wave Diving Board

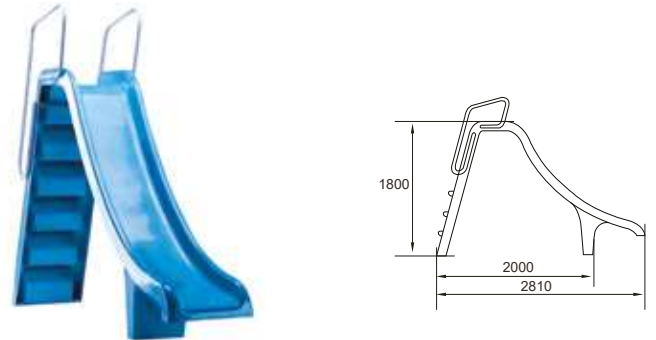
Diving board made of fiberglass and polyester with anchoring fixtures. Non slip surface with extra strips for the diving area at the end of the board. Length 1.6 m. Width 0.39 m



Code	Dimensions	Weight	Volume
	(m)		
00190020	L: 1.60m / W: 0.39m	12.3	0.14

## Slide Straight Model

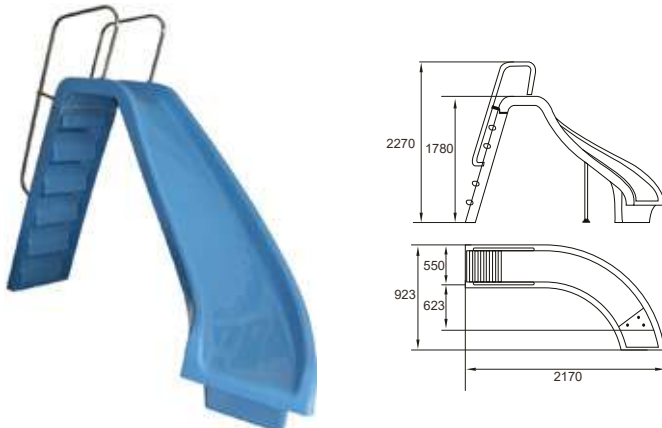
Slide made in polyester and fiberglass with non-slip polyester steps. Water Inlet to aid sliding. Supplied with grab rails and anchoring fixtures.



Code	Height	Weight	Volume
	(mm)		
00109008	1500	62	1.214
00109003	1800	70	1.37

## Slide Curved Model

Slide made in polyester and fiberglass with non-slip polyester steps. Water Inlet to aid sliding. Supplied with grab rails and anchoring fixtures. Two curved models available - right and left curve.



Code	Description	Weight	Volume
		(Kg)	(m³)
00109004	Right Curved Slide	83	2.89
00109005	Left Curved Slide	83	2.89

# Pool Lining

## Glass Mosaic Tiles

### Glass Mosaic Tiles

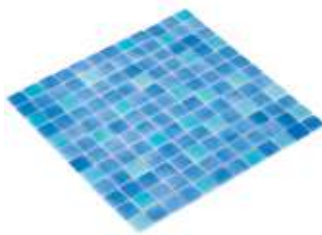
Glass Mosaic tiles are extremely resistant and ductile, they adapts perfectly to surfaces. Guarantees unmatched results over the long term and offers great savings in terms of time and money in both installation and repair.

### Specifications

- Product Size: 25 x 25 mm
- Mesh back
- Thickness : 4.5 mm
- Sheet Size : 315 x 315 mm



Code: 211 Glass Mosaic  
25 x 25 mm



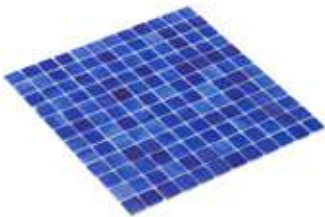
Code: 210 Glass Mosaic  
25 x 25 mm



Code: 213 Glass Mosaic  
25 x 25 mm



Code: 217 Glass Mosaic  
25 x 25 mm



Code: 220 Glass Mosaic  
25 x 25 mm



Code: 221 Glass Mosaic  
25 x 25 m

## Antislip Edge Pool Tiles

Edge tiles and adjacent tiles for pool edge finishing. Handle edge tiles give an option for grabbing to the pool side for swimmers.

### Handle Pool Edge Tile

Code: 307 Edge Tile  
Size (LxWxT): 245x125x20 mm



### Handle Pool Edge Tile

Code: 306 Edge Tile  
Size (LxWxT): 245x125x20 mm



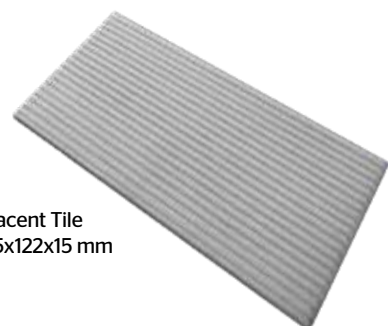
### Adjacent Tile

Code: 313 Adjacent Tile  
Size (LxWxT): 245x122x15 mm



### Adjacent Tile

Code: 315 Adjacent Tile  
Size (LxWxT): 245x122x15 mm





# Pool Lining

## PVC Liners

### PVC Liners

Atecpool Special PVC Liners have a soft and flexible PVC membrane of 1.5 mm reinforced with a polyester mesh, free of heavy metals and according to standard UNE 13956. It is manufactured exclusively from top quality virgin resins with guaranteed watertightness and an excellent finish, making it a top quality solution for all kinds of swimming pools.

PVC Liners are the best solution to guarantee perfect waterproofing and an excellent finish, thus allowing the rapid building of the swimming pool and lasting satisfaction.

### Quality

Atecpool Special PVC Liners have high resistance to UV radiation and exhibit excellent behaviour with respect to chlorine and ageing. Atecpool PVC Liners have 10 years warranty.

### Design

Atecpool Special PVC Liners comes in a complete range of colours, designs and finishes, including anti-slip material, liquid PVC, colaminated sheet, etc.

### Easy to apply

Thanks to their adaptability, Atecpool Special PVC Liners can be used on any support: cement, timber, metal, etc.

MOST COMMON FINISHES	WIDTH	URE	ZERU	HONDAR	ELUR	GRESITE
PLAIN	1.65m	●	●	●	●	
PATTERNED	1.65m					●
ANTI-SLIP	1.65m	●	●	●	●	●
LIQUID PVC	1 LITRE CONTAINERS	●	●	●	●	

### Packaging and storage

Supplied in rolls on cardboard tubing. Store in the original packaging in a dry and cool place in vertical position.

Colours	Dimensions	Rolls / Pallet	Storage
Various	1.60 x 25m (40m /roll)	12	Horizontally and in parallel (never crossed)

Property	Norms	Average data
Thickness (mm)	EN 1849-2	1.5 (+10/-5)%
Elongation (%)	EN 12311-2	≥ 15
Tensile Strength (N/mm <sup>2</sup> )	EN 12311-2	≥ 22
Tear Resistance (N)	EN 12310-2	≥ 200
Resistance to static punching (rigid support) (kg)	EN 12730-B	≥ 20
Joint peel resistance (N)	EN 12316-2	≥ 200
Joint shear resistance (LxT) (N/50mm)	EN 12316-2	L, T ≥ 1000
Accelerated light ageing	EN 1297	Pass
Cold bending (-25C°)	EN 495-5	No cracks
Dimensional stability after 6h at 80°C (%)	EN 1107-2	≤ 0.5
Micro-organisms resistance	ASTM G 21-90	No growing
Resistance to hydrostatic pressure (6h at 0.5MPa)	EN 1928-B	Waterproof
Hail resistance (rigid support) (mm)	EN 13583	≥ 23



Ure



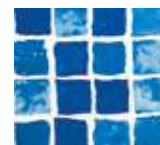
Zeru



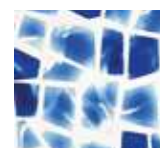
Hondar



Elur



Olatu



Zidor



Tirain



Olayo





ATECPPOOL

---

# POOL & SPA

---

# FITTINGS

---

