

*Inspired
by Water*

PUMPS





ATECPOOL VARIABLE SPEED PUMP



Atecpool Green Revolution

Working towards the green change

ATECPOOL has developed an innovative range of pool pumps combining the new inverter SmartSaver and the new high efficiency synchronous motors with permanent magnets.

The combination of these two technologies designed and developed entirely by **ATECPOOL**,

assure energy savings of over 80% compared to the traditional pumps. **ATECPOOL** is leading the market of **Energy Saving technology** for a better future.

Total adaptability, speed range from 1,200 RPM to 2,900 RPM. With the increment of 50 RPM the pump automatically sets to the point of maximum savings.



ATECPOOL INVERPRO PUMP

INVERTER PUMP

Energy Efficient Self Priming Pump



Save Money



Easy touch



Certified Technology



Settable Timer



Quiet Pump



Reduce CO₂ emissions



Save more than
80%
in energy Cost



Save more than 80% in energy cost

Ahorro de hasta un 80% de energía
Économie jusqu'à 80 % en énergie

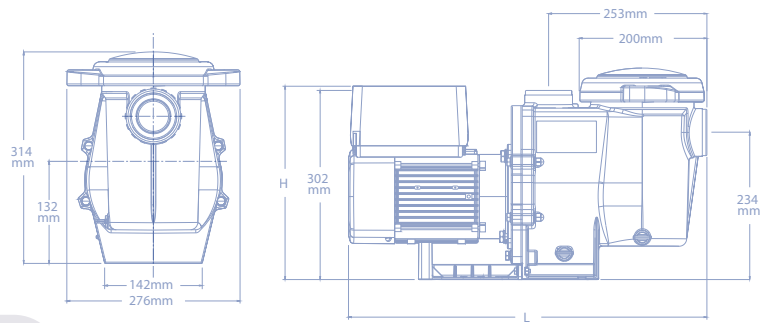


atecpool.com

Atecpool InverPro Inverter Pump



Atecpool InverPro Dimensions



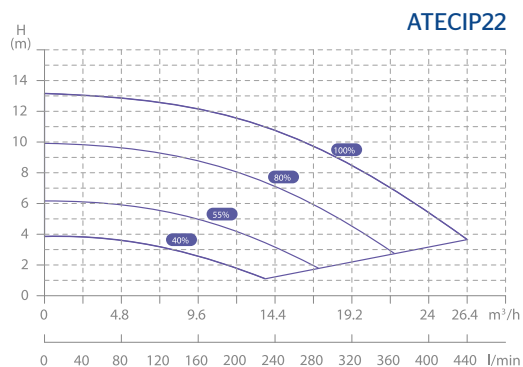
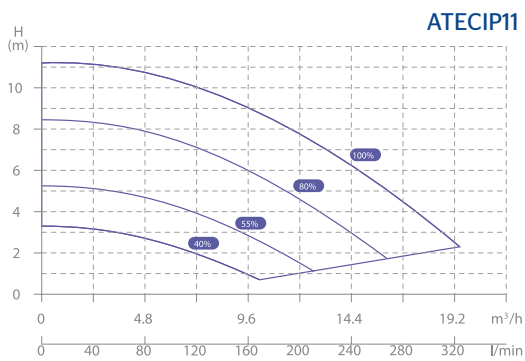
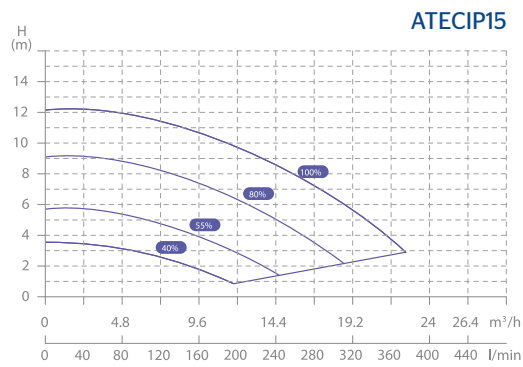
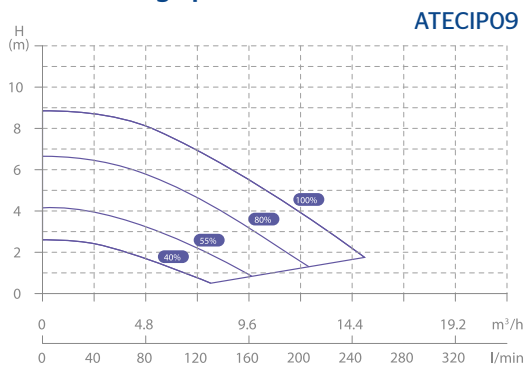
Easy Touch
Easy Run

20% Quieter at full capacity

Equipped with Inverter technology, Atecpool InverPro is 20% quieter than other pumps in the market, down to 36.6 dB(A) at 1m.

Save Money: thanks to the Inverter Technology, the Atecpool InverPro pump consumes less energy than other pumps.

Performance graph



Atecpool InverPro Pump

- Pre-filter with transparent lid in polycarbonate which allows easy observation of the pre-filter basket.
- Pump body made in polypropylene reinforced with fibreglass, resistant to the chemical products in the swimming pool.
- Noryl impeller with shaft in stainless steel AISI 316
- Mechanical seal in graphite and ceramics.
- Connections of suction and return at: Ø60.3 / 63mm bush connections.



Atecpool InverPro Specifications

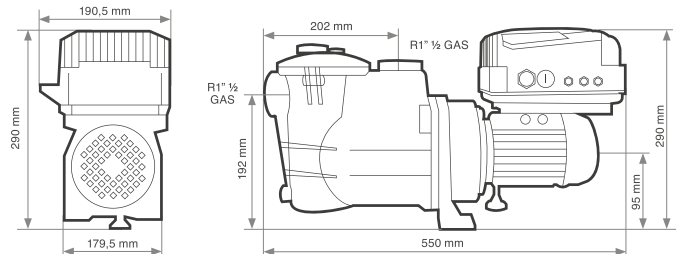
Model	Advised Pool Volume (m³)	Noise Level at 10m dB(A)	Noise Level at 1m dB(A)	Input Power (p1) (kW)	Voltage (V/Ph/Hz)	Backwash		Flow (m³/h)			Connections (mm)
						Q max	H max	at 6m	at 8m	at 10m	
ATECIPO9	20-30	166-290	36.6-490	0.04-0.35	220-240v 1ph	18.5	13.6	4.2-9.0			63
ATECIPI1	25-40	177-304	37.7-504	0.07-0.5		23.5	17.5	9.6-15.0	4.5-11.5		63
ATECIPI5	40-55	18.5-31.0	38.5-51.0	0.1-0.70		27.5	19.1	12.9-18.6	8.1-15.3	8.7-11.1	63
ATECIP22	60-80	200-331	40.0-53.1	0.14-1.0		32	21	13.5-23.1	12.0-20.1	10.9-16.5	63

Atecpool Solar Pump

Direct Connection to Solar Panels

Atecpool Solar Pump > The Green Revolution

Centrifugal pump, to be directly connected to solar panels. Or alternatively it can be connected to an electrical grid.

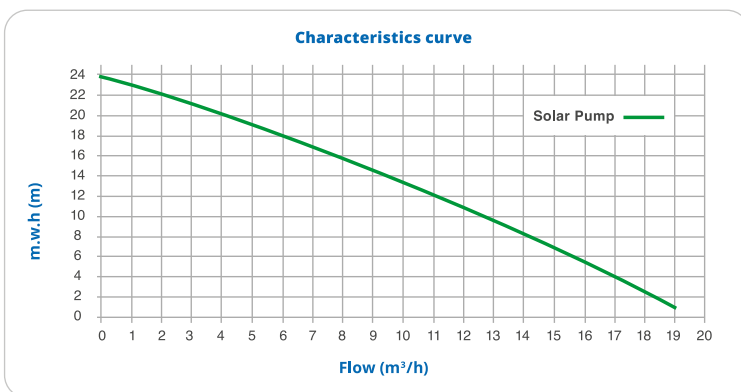


Atecpool Solar Pump Specifications

- High energy efficiency achieved due to photovoltaic panels
- Variable speed operation depending on solar radiation
- Electronic configuration improves duty point
- Energy saving due to solar panel power
- Low noise operation
- IP55 for humid and dusty environments
- Good mechanical integration of motor and inverter
- Powered either by solar panels or standard AC/DC with optional module
- Integrated inverter: built in aluminium with an independent ventilation system to guarantee excellent thermal performance
- Synchronous three-phase motor: high efficiency permanent magnets
- Mobile APP and Bluetooth connection used to set and monitor different parameters

Pump materials

- Pump body: polypropylene +30% GF.
- Impeller and diffuser: noryl + 30% GF.
- Shaft: stainless steel AISI 316L.
- Mechanical seal: carbon + resin - ceramics.
- Prefilter cover: polycarbonate.
- Prefilter basket: polypropylene +5% GF.

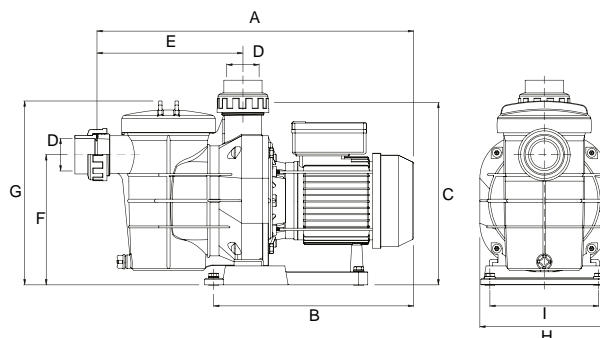


Atecpool Solar Pump

Model	Rated Frequency	Input Current	Input Voltage	Enclosure Rating	Motor insulation	Communication	Input	Output settings	In-out
(Hz)									
ASOLAR100	48 - 62	11A PF:1	90-400VDC 1x90-265VAC	IP55 (NEMA-4)	Class F	RS485, MODBUS RTU protocol	4 analog inputs (10 or 15 VDC)	Two digital output N.O. or N.C.	1 1/2"

Atecpool America

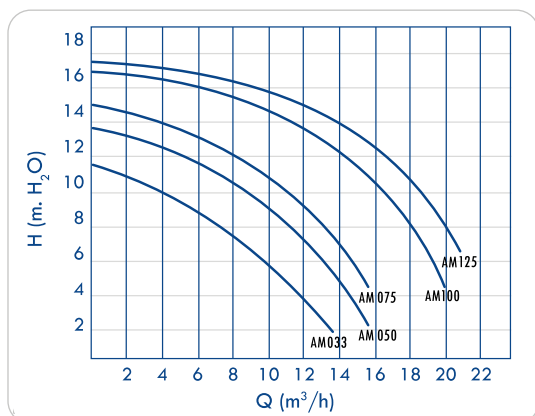
Self-priming pump



Atecpool America

- Self-priming electric pump for swimming pools, with built-in pre-filter.
- Pre-filter with transparent lid in polycarbonate which allows easy observation of the pre-filter basket.
- The pre-filter is closed by means of a thread.
- Pump body lid and diffuser in Noryl.
- Pump body made in polypropylene reinforced with fibreglass, resistant to the chemical products in the swimming pool.
- Noryl impeller with shaft in stainless steel AISI 316L.
- Mechanical seal in graphite and ceramics.
- 60Hz upon request.
- Enclosed motor, totally silent, with IP-55 protection, 2,850 rpm 230V - 50Hz single-phase or 230 / 400V - 50Hz three-phase.
- Connections of suction and return at 2 1/4" for Ø50 mm bush connections.
- Suction and return unions D50 included.
- Supplied with both mm and inch fittings.

Performance graphs

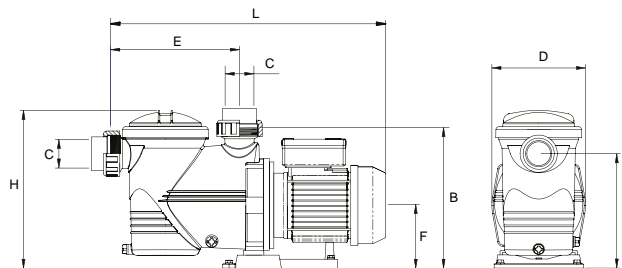


Code	Power		Manometric Height w.c.m.							
	HP	kW	2	4	6	8	10	12	14	16
AM033M	0,3	0,25	13	12	10	7	4	-	-	-
AM050M	0,5	0,37	-	15	13	11	9	5	-	-
AM075M	0,75	0,55	-	-	15	13	11	8	4	-
AM075T			-	-	-	-	-	-	-	-
AM100M	1	0,75	-	-	19	18	16	14	11	6
AM100T			-	-	-	-	-	-	-	-
AM125M	1,5	1,10	-	-	-	20	19	17	14	9
AM125T			-	-	-	-	-	-	-	-

Code	Power		Dimensions								Weight	Volume	
	HP	KW	A	B	C	D	E	F	G	H	I	kg	m³
AM033M	0,3	0,25	475	296	280	Ø 50	225	200	285	199	168	9,7	0,059
AM050M	0,5	0,37	475	296	280	Ø 50	225	200	285	199	168	10	0,059
AM075M	0,75	0,55	490	311	280	Ø 50	225	200	285	199	168	12	0,059
AM075T			-	-	-	-	-	-	-	-	-		
AM100M	1	0,75	490	311	280	Ø 50	225	200	285	199	168	12,5	0,059
AM100T			-	-	-	-	-	-	-	-	-		
AM125M	1,5	1,10	490	311	280	Ø 50	225	200	285	199	168	13,5	0,059
AM125T			-	-	-	-	-	-	-	-	-		

Atecpool Niagara

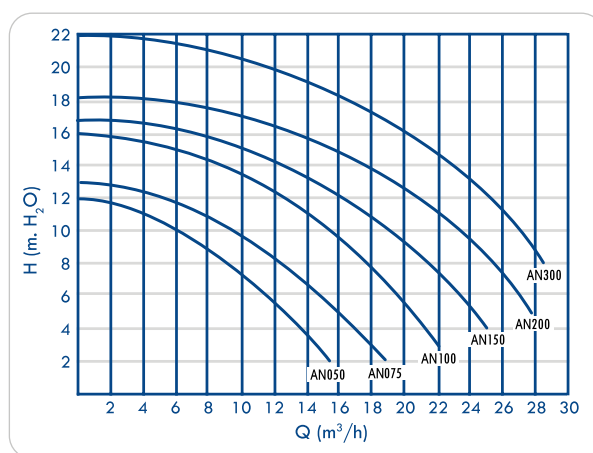
Self-priming pump



Atecpool Niagara

- Self-priming electric pump for swimming pools, with built-in pre-filter.
- Pre-filter with transparent lid in polycarbonate that allows easy observation of the pre-filter basket.
- The pre-filter is closed by means of a thread.
- Pump body made in polypropylene reinforced with fibreglass, resistant to the chemical products in the swimming pool.
- Pump body lid and diffuser in Noryl.
- Noryl impeller with shaft in stainless steel AISI 316L.
- Mechanical seal in graphite and ceramics.
- Motor shaft manufactured in stainless steel AISI 316L.
- Enclosed motor, totally silent, with IP-55 protection, at 3,000 rpm 230V - 50Hz single-phase or 230 / 400V - 50Hz three-phase.
- 60Hz upon request.
- Connections of suction and return at 2 3/4" for Ø 63 mm bush connections.
- Supplied with both mm and inch fittings.

Performance graph



Code	Power		Manometric Height wcm										
	HP	kW	2	4	6	8	10	12	14	16	18	20	22
AN050M AN050T	0,5	0,37	15	14	11	9	6	-	-	-	-	-	-
AN075M AN075T	0,75	0,55	19	17	15	12	9	5	-	-	-	-	-
AN100M AN100T	1	0,75	-	21	20	18	16	12	9	-	-	-	-
AN150M AN150T	1,5	1,10	-	25	23	21	19	16	14	7	-	-	-
AN200M AN200T	2	1,50	-	-	27	25	23	21	18	14	6	-	-
AN300M AN300T	3	2,20	-	-	-	28	27	25	23	20	17	12	3

Code	Power		Dimensions							Weight	Volume m³	
	HP	kW	A	B	C	D	E	F	H	L	kg	
AN050M AN050T	0,5	0,37	250	312	Ø63	205	282	140	348	565	12,5	0,060
AN075M AN075T	0,75	0,55	250	312	Ø63	205	282	140	348	565	13	0,060
AN100M AN100T	1	0,75	250	312	Ø63	205	282	140	348	565	14	0,060
AN150M AN150T	1,5	1,10	250	312	Ø63	205	282	140	348	590	17	0,060
AN200M AN200T	2	1,50	250	312	Ø63	205	282	140	348	605	19,5	0,060
AN300M AN300T	3	2,20	250	312	Ø63	205	282	140	348	625	22,5	0,060

Atecpool Malta

Self-priming Pump

Atecpool Malta Pump

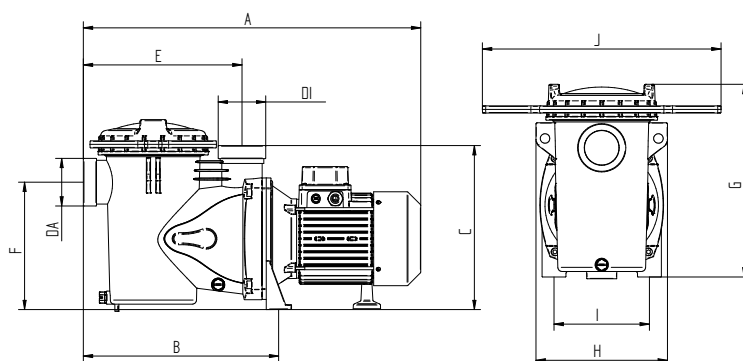


Design Features

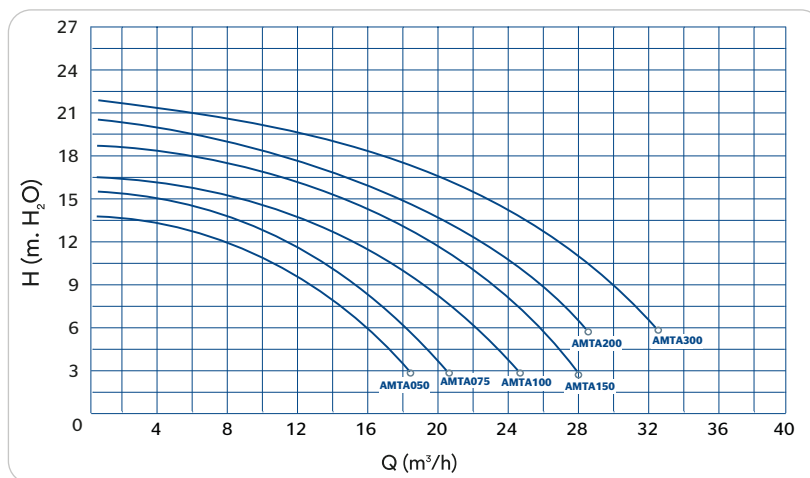
- Polypropylene + Fiberglass.
- AISI 316 stainless steel shaft
- Impeller in Noryl.
- Mechanical seal in graphite and ceramics.
- Polycarbonate prefilter.

Features

- Double connection, thread and fittings.
- 2" female thread, fittings glue DN63.
- Large pre-filter basket.
- Cataphoresis painting.
- Aluminium support base.
- Stainless steel screws AISI-304.
- IE3 Asynchronous motor at 2900 rpm (3450 rpm @ 60 Hz).
- Lubricated bearings for life.
- IP-55 grade, Class F Insulation.
- 60 Hz upon request



Performance graph



Code	Power		Manometric Height wcm											
	HP	kW	4	6	8	10	12	14	16	18	20	22	24	
AMTA050M AMTA050T	0,5	0,37	17,7	16	14	11,5	8							
AMTA075M AMTA075T	0,75	0,55	20	18,2	16,5	14	11	6						
AMTA100M AMTA100T	1	0,75	24	22	20	18	15	11	5					
AMTA150M AMTA150T	1,5	1,1	27,5	25,5	23,5	21,5	19	16	12	6				
AMTA200M AMTA200T	2	1,5	-	28,2	26,5	24,3	22,5	19	15,2	11	3			
AMTA300M AMTA300T	3	2,2	-	32,5	31	29	27	23	21	17	9,8	2		

Type	HP	kW	I	II	III	A	B	C	E	F	G	H	I	J	DNI / DNA
			230	230	400	(mm)									
AMTA050M AMTA050T	0,5	0,37	4,2 -	- 3	- 1,7	542	332	278	270	216	322	220	160	400	D63 int 2"
AMTA075M AMTA075T	0,75	0,55	5 -	- 3,5	- 2	542	332	278	270	216	322	220	160	400	D63 int 2"
AMTA100M AMTA100T	1	0,75	5,5 -	- 3,8	- 2,2	542	332	278	270	216	322	220	160	400	D63 int 2"
AMTA150M AMTA150T	1,5	1,1	7,3 -	- 5	- 2,9	542	332	278	270	216	322	220	160	400	D63 int 2"
AMTA200M AMTA200T	2	1,5	9,2 -	- 6	- 3,5	572	332	278	270	216	322	220	160	400	D63 int 2"
AMTA300M AMTA300T	3	2,2	12,2 -	- 8,6	5	572	332	278	270	216	322	220	160	400	D63 int 2"



ATECPool PUMP EUROMAX & EUROMAX+

EFFICIENT PUMPS

Self Priming Pump



Save
Money



Certified
Technology



EUROMAX+



Green Technology

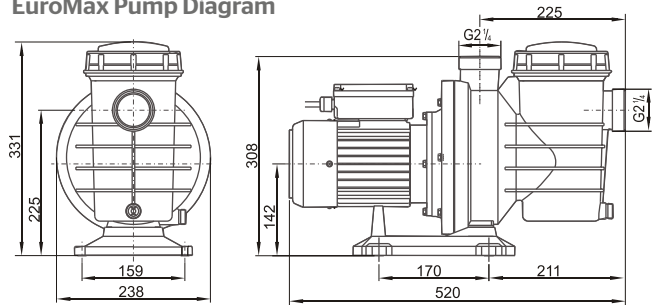
Atecpool EuroMax

Self-priming Pump

EUROMax



EuroMax Pump Diagram



Atecpool EuroMax

Self priming pump for above or inground swimming pools. Reinforced fiberglass body for maximum durability. Equipped with an advanced hydraulic design that enables high performance and reduces the noise to the minimum. Powerful motor with inbuilt thermal protector. Double protection to isolate water from electricity.

Atecpool EuroMax Specifications

- Pump body made in polypropylene reinforced with fibreglass, resistant to the chemical products in the swimming pool.
- Noryl impeller with shaft in stainless steel AISI 316L.
- Mechanical seal in graphite and ceramics.
- Enclosed motor, totally silent, with IP-55 protection, 2900 rpm, 220-240V - 50Hz single-phase.
- Connections of suction and return at 2 1/4" for Ø50 mm bush connections.
- Suction and return unions D50 included

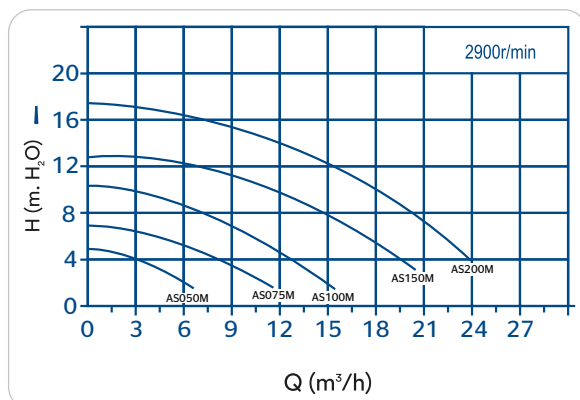
- 1 Self-Priming at 2 m
- 2 IP55
- 3 Class F
- 4 Thermal Protection
- 5 CE and TÜV Certified
- 6 Connection of suction and return at G2-1/4 for 50 mm bush connection.

Atecpool EuroMax Pump Specifications

Code	Power		220-240V / 50Hz		Manometric Height w.c.m							
	kW	HP	A	2	4	6	8	10	12	14	16	
Flow (m³/h)												
AS050M	0,37	0,5	1,9	6	3	-	-	-	-	-	-	-
AS075M	0,55	0,75	2,7	11	8	4	-	-	-	-	-	-
AS100M	0,75	1	3,8	15	13	11	7	3	-	-	-	-
AS150M	1,1	1,5	5,8	-	19,5	17	15	12	7	-	-	-
AS200M	1,5	2	7	-	24	22	20	18	15	12	8	-

Working conditions
 Water temp: 5 - 50°C
 Ambient temp: <= 50°C

Performance graph

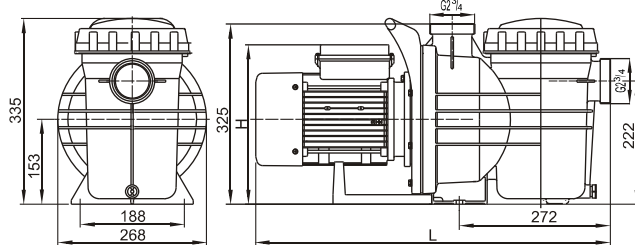


Atecpool EuroMax+ Self-priming Pump

EUROMAX+



EuroMax+ Pump Diagram



Model	L	H
AS150SM	603	264
AS150ST	603	264
AS200SM	603	267
AS200ST	603	267
AS220SM	603	278
AS220ST	603	278
AS330SM	616	285
AS330ST	616	285

Atecpool EuroMax+

Self priming pump for above or inground swimming pools. Reinforced fiberglass body for maximum durability. Equipped with an advanced hydraulic design that enables high performance and reduces the noise to the minimum. Powerful motor with inbuilt thermal protector. Double protection to isolate water from electricity.

Atecpool EuroMax+ Specifications

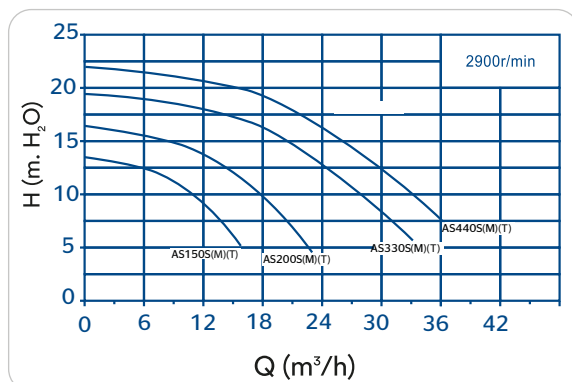
- Pump body made in polypropylene reinforced with fibreglass, resistant to the chemical products in the swimming pool.
- Noryl impeller with shaft in stainless steel AISI 316L.
- Mechanical seal in graphite and ceramics.
- Enclosed motor, totally silent, with IP-55 protection, 2,900 rpm, 220-240V - 50Hz single-phase or 380V - 50Hz three-phase.
- Connections of suction and return at 2 3/4" for Ø63 mm bush connections.
- Suction and return unions D63 included

Atecpool EuroMax+ Pump Specifications

Code	Power		220-240V / 50Hz		380-415V / 50Hz		Manometric Height w.c.m							
	kW	HP	A (Mono Phase)	A (Tri Phase)	6	8	10	12	15	18	20	22		
Flow (m³/h)														
AS150SM	1,1	1,5	5,2	-	15	13	11	7	-	-	-	-		
AS150ST	-	-	-	2,8	-	-	-	-	-	-	-	-		
AS200SM	1,5	2	7	-	22	20	18	15	9	-	-	-		
AS200ST	-	-	-	3,4	-	-	-	-	-	-	-	-		
AS330SM	2,2	3	10	-	33	30	27,5	25	21	12	-	-		
AS330ST	-	-	-	4,8	-	-	-	-	-	-	-	-		
AS440SM	3	4	14	-	-	35	33	30,5	26	21	15	3		
AS440ST	-	-	-	6,9	-	-	-	-	-	-	-	-		

Working conditions: Medium temp: 5 - 50°C / Environmental temp: <= 50°C / Max. working pressure: 0.3 Mpa

Performance graph

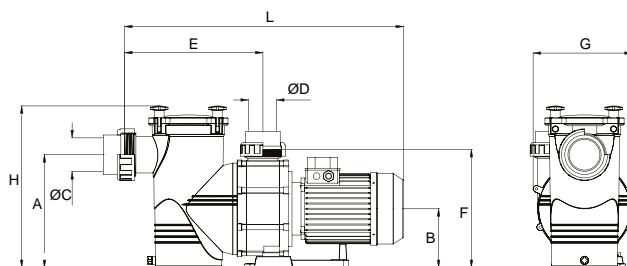


-
- 1 Self-Priming at 2 m
 - 2 IP55
 - 3 Class F (155)
 - 4 Thermal Protection
 - 5 CE and TÜV Certified
 - 6 Connection of suction and return at G2-3/4 for 63 mm bush connection.



Atecpool Big Discovery

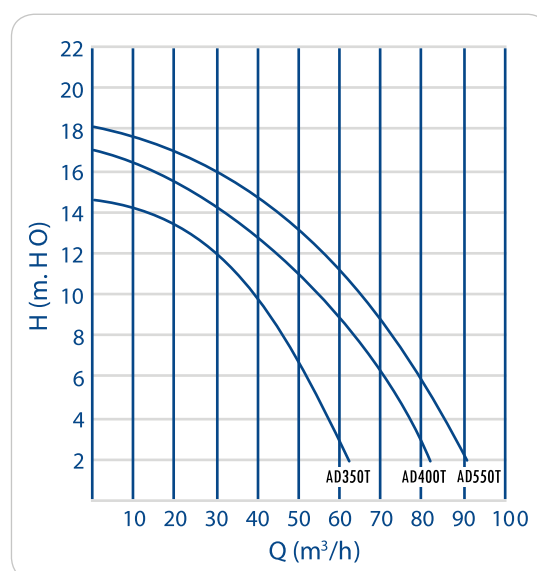
Self-priming pump



Atecpool Big Discovery

- Self-priming centrifugal electric pump for swimming pools, self-priming at 2 m.
- Built-in pre-filter with great capacity (8 litres).
- Noryl impeller. Bronze impeller on request.
- Pre-filter with transparent lid in polycarbonate which allows easy observation of the pre-filter basket. The pre-filter is closed with a an easily accessible knob system.
- Pump body made in polypropylene reinforced with fiberglass, resistant to the chemical products in the swimming pool.
- Mechanical seal in graphite and ceramics.
- Motor shaft manufactured in stainless steel AISI 316L.
- Motor with IP-55 protection, at 3.000 r.p.m., 230 / 400V - 50Hz three-phase (upon request 400 / 690V - 50Hz versions available).
- Possibility of 60Hz upon request.
- Suction connection Ø90 mm, return connection Ø75 mm. Both supplied with bush connections.

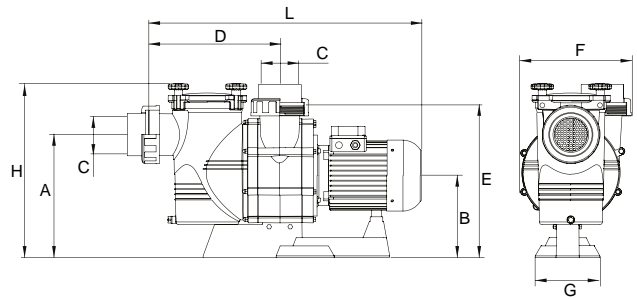
Performance graph



Code	Power		Manometric Height wcm								
	HP	kW	2	4	6	8	10	12	14	16	18
AD350T	3	2.2	62	57	51	46	40	30	13	-	-
AD400T	4	2.9	82	77	70	63	55	44	31	15	-
AD550T	5.5	4	91	85	80	72	65	56	45	30	3

Code	Power		Dimensions								Weight	Volume	
	HP	kW	A	B	C	D	E	F	G	H	L	kg	m³
AD350T	3	2.2	300	160	Ø90	Ø75	368	320	264	431	713	24	0.12
AD400T	4	2.9	300	160	Ø90	Ø75	368	320	264	431	743	27	0.12
AD550T	5.5	4	300	160	Ø90	Ø75	368	320	264	431	743	29	0.12

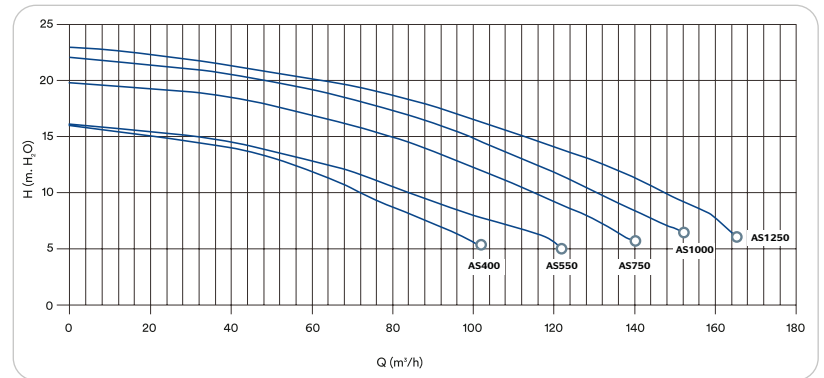
Atecpool Aeres Centrifugal Pump



Atecpool Aeres

- High flow plastic pumps.
- Pre-filter with transparent lid in polycarbonate which allows easy observation of the pre-filter basket. The pre-filter is closed with with a an easily accessible knob system.
- Pump body and pre-filter made in polypropylene reinforced with fibreglass, resistant to the chemical products in the swimming pool, guaranteed to last.
- Bronze impeller.
- Motor shaft manufactured in stainless steel AISI 316L.
- Pre-filter basket in stainless steel too.
- Motors with IP-55 protection, at 3,000 rpm, 230/400V-50Hz or 400/690V - 50Hz (7.5, 10 and 12.5 HP) three-phase.
- 60 Hz upon request.
- Possibility of AISI 316L stainless steel impellers upon request.
- Suction and return unions Ø90 mm (4 HP) or Ø110 mm (5.5HP - 12.5HP) included.

Performance graph



Bronze impeller

Code	Power		Manometric Height wcm								
	HP	kW	5	8	10	12	14	16	18	20	22
			Flow m ³ /h								
AS400	4	2.9	102	86	72	60	40	-	-	-	-
AS550	5.5	4	122	100	84	70	48	4	-	-	-
AS750	7.5	5.5		128	116	102	88	72	48	-	-
AS1000	10	7.4		143	131	120	106	92	74	48	-
AS1250	12.5	9.2		160	148	136	122	106	88	62	28

Code	Power		Dimensions									Weight	Volume
	HP	kW	A	B	C	D	E	F	G	H	L	Kg	m ³
AS400	4	2.9	375	255	Ø90	405	470	330	200	535	820	46	0.252
AS550	5.5	4	375	255	Ø110	405	470	330	200	535	840	51	0.252
AS750	7.5	5.5	375	255	Ø110	405	470	330	200	535	840	57	0.252
AS1000	10	7.4	375	255	Ø110	405	470	330	200	535	910	68	0.252
AS1250	12.5	9.2	375	255	Ø110	405	470	330	200	535	955	72	0.252

Atecpool F-GIANT

Centrifugal pump

Atecpool F-GIANT



Code	L
F-GIANT 17	584
F-GIANT 18	606

Materials Cast Iron Version

Pump housing: PP 30% FG

Impeller: Polypropylene with FG or Bronze

Prefilter: Polypropylene 30 % FG

Prefilter Cover: Polypropylene

Screws: Stainless Steel AISI 316

Shaft: Stainless Steel AISI 316L

Mechanical Seal: Carbon + Resin - Ceramics

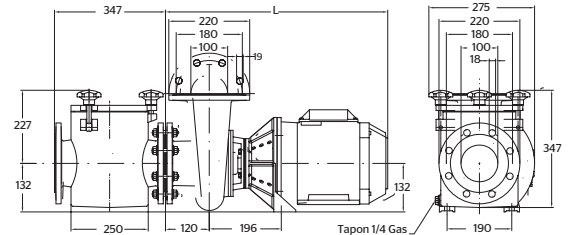
Preilter basket: Stainless Steel AISI 304

Atecpool F-GIANT is the first high flow rate pump, entirely built in plastic providing the best hydraulic performances in the market. Equipped with a one piece helical plastic impeller developed with innovative technology. Eco-friendly and sustainable, especially recommended for large aquariums due to its low noise level and absence of metal contact parts with water. For the same reason the F-GIANT is fully compatible with: sea water, salt chlorinators and salt ionizers. This contributes to responsible water management and reduces chemical consumption in the treatment of pool water.

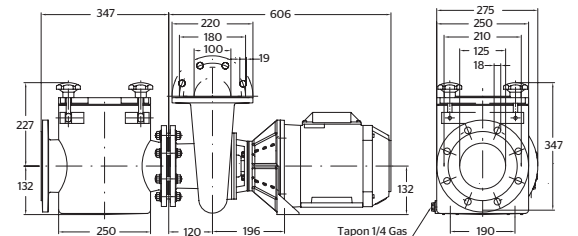
Atecpool F-GIANT Specifications

- High efficiency motor class IE3 according to regulation ECn° 640/2009
- Insulation Class: F
- Waterproof: IP55
- High quality mechanical seal
- Flow rate: up to 180 m³/h
- Voltage: 230/400V or 400/690V
- Motor: 50Hz / 2900 rpm
- Available also at 60Hz
- Full material removable and recyclable.
- Polypropylene Impeller, Bronze Impeller upon request.

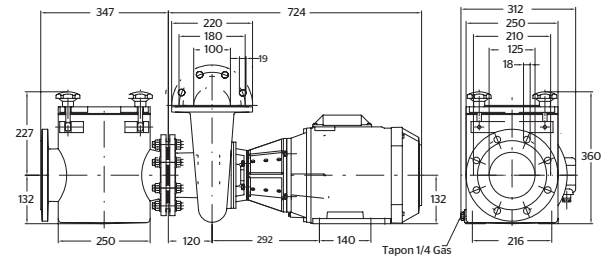
F-GIANT 17/18



F-GIANT 19

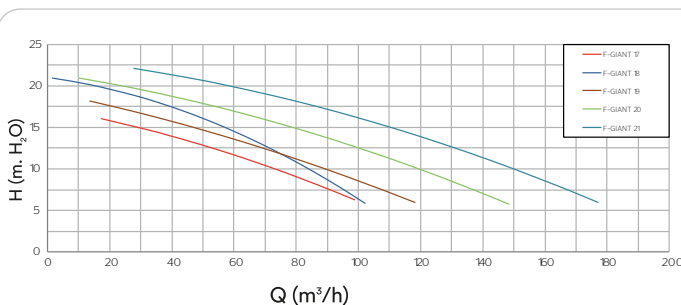


F-GIANT 20 / 21 / 22

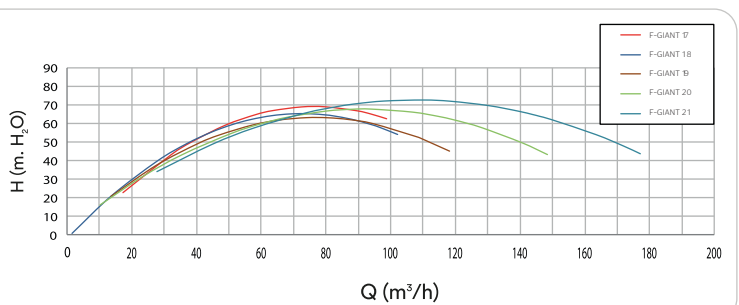


Code	Power		III				Manometric height w.c.m										DN		Weight
	HP	KW	230/400V		400/690V		6	8	10	12	14	16	18	20	22	IN	OUT		
F-GIANT 17	4	3	9,9	5,7	-	-	99	90	73	58	39	17	-	-	-	100	100	62	
F-GIANT 18	5,5	4	13,0	7,4	7,4	4,3	102	94	82	75	63	51	37	14	-	100	100	68	
F-GIANT 19	5,5	4	13,0	7,4	7,4	4,3	118	109	87	74	57	40	14	-	125	100	70		
F-GIANT 20	7,5	5,5	17,6	10,1	10,1	5,9	148	126	119	107	88	68	51	23	-	125	100	81	
F-GIANT 21	10	7,5	-	-	13,5	7,8	177	164	146	139	119	98	84	58	28	125	100	87	

Performance graph

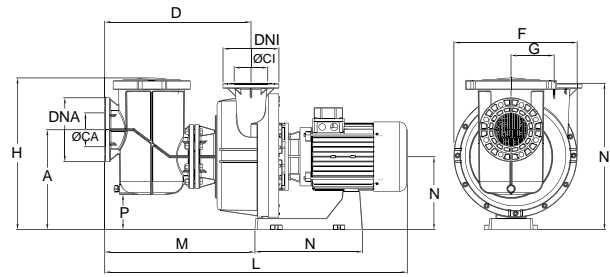


Efficiency graph



Atecpool Thamesis

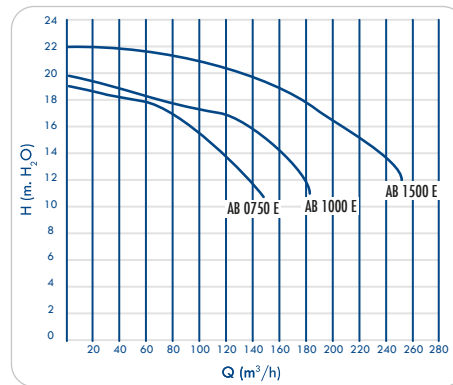
Centrifugal pump



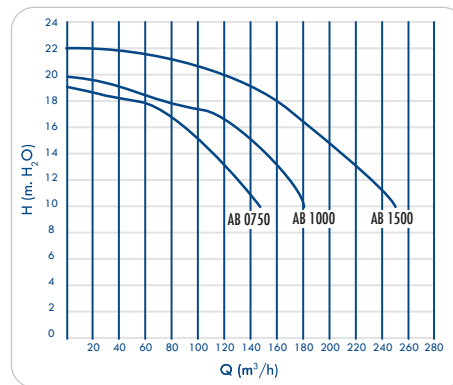
Atecpool Thamesis Specifications

- High efficiency centrifugal pumps, ideal for high flow rates.
- Hydraulic efficiency without prefilter of up to 85% depending on model.
- Independent 25-litre 6" x 6" prefilter with transparent lid.
- Low noise level (under 66 dBA depending on model).
- Pump body made of state-of-the-art thermoplastic resistant to swimming pool chemicals, guaranteeing a long high-performance life.
- Standard 6" x 5" pump connections.
- Plastic turbine, with no metal parts coming in contact with water.
- High-performance mechanical seal suitable for sea water.
- Available versions: 7.5HP / 10HP / 15HP.
- Standard drive shaft compatible with all motor manufacturers.
- Motors with IP-55 protection enclosure operating at 1,500 rpm (III Phase).
- Motors classified as premium or high efficiency (IE3 or IE2).
- AISI-316 (A4) grade stainless steel nuts and bolts.

Performance graph w/o prefilter



Performance graph w/ prefilter



Model	Code	Power		Manometric Height wcm								Connections			
		HP	kW	10	12	14	16	18	20	22	24	DNA	DNI		
Flow m³/h															
Atecpool Thamesis w/o pre-filter	AB0750E	7.5	5.5	-	136	118	94	60	-	-	-	-	-	285	250
	AB1000E	10	7.4	-	179	161	139	80	-	-	-	-	-	285	250
	AB1500E	15	11.2	-	252	238	208	178	132	32	-	-	-	285	250
Atecpool Thamesis with pre-filter	AB0750	7.5	5.5	148	132	112	90	55	-	-	-	-	-	285	250
	AB1000	10	7.4	182	170	152	130	76	-	-	-	-	-	285	250
	AB1500	15	11.2	252	232	210	186	160	120	32	-	-	-	285	250

Model	Code	Power		Dimensions												
		HP	kW	A	DNA	ØCA	DNI	ØCI	D	F	G	H	L	M	N	P
Atecpool Thamesis with pre-filter	AB0750	7.5	5.5	446	285	150	250	125	653	550	192	667	1215	540	480	157
	AB1000	10	7.4	446	285	150	250	125	653	550	192	667	1250	540	480	157
	AB1500	15	11.2	446	285	150	250	125	653	550	192	667	1350	670	480	157
Atecpool Thamesis w/o pre-filter	AB0750E	7.5	5.5	326	285	150	250	125	254	550	192	653	815	140	480	-
	AB1000E	10	7.4	326	285	150	250	125	254	550	192	653	850	140	480	-
	AB1500E	15	11.2	326	285	150	250	125	254	550	192	653	950	270	480	-



Atecpool AFN

Self-priming Centrifugal pump

Atecpool AFN



Atecpool AFN is a pool pump with excellent resistance due to quality and durable materials. Upon request it can be manufactured in bronze for use with sea or salt water.

Atecpool AFN Specifications

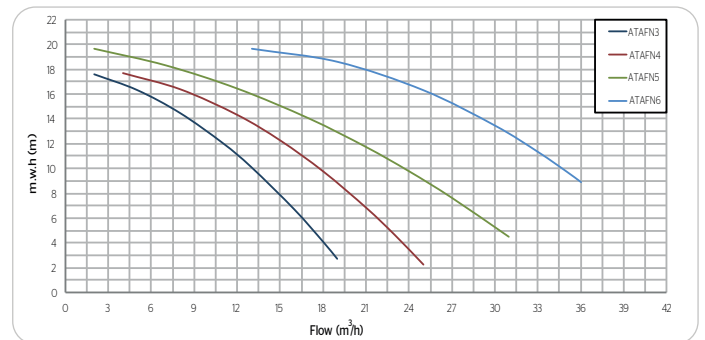
- Superior self-priming capacity up to 6 mwh
- Standard motor shaft which makes it compatible with any worldwide manufacturer's
- Open type impeller
- Available in cast iron or bronze
- High resistance to corrosion - all parts in contact with water are specially treated by long-term cathoporesis
- Highly durable materials
- Suitable for salt and sea water when in bronze version
- Thermal protection incorporated in single-phase version
- Protection: IP 55
- Motor: 50Hz / 2900 rpm
- Available at 60Hz upon request

Materials Cast Iron Version

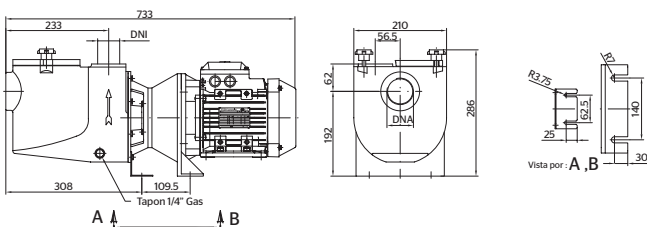
Pump housing and diffuser: cast iron
Pre-filter basket:

Impeller: brass
Shaft: stainless steel AISI 316
Mechanical Seal: carbon + resin - ceramics

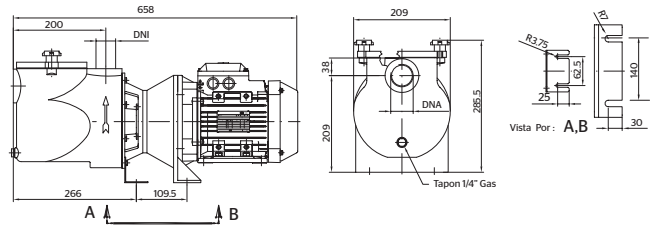
Performance graph



ATAN5 - 7



ATAN3 - 4



Code	Power		Capacity μF	II 230V		III 230/400V		Manometric height w.c.m										DN		Weight Kg
	HP	KW		A	A	2	4	8	10	12	14	16	18	20	IN	OUT				
ATAFN3	ATBR-3	1	0,75	100/25	4,9	2,9	1,6	19,0	17,5	15,5	13,1	10,7	8,0	5,0	1,8	-	1 1/2"	1 1/2"	26,5	
ATAFN4	ATBR-4	1,5	1,1	100/30	7,0	4,0	2,3	25,0	23,0	20,7	18,0	14,8	11,6	8,0	4,0	-	1 1/2"	1 1/2"	30,5	
ATAFN5	ATBR-5	2	1,5	200/40	9,4	5,3	3,1	-	30,5	26,5	24,0	20,5	16,5	12,0	7,0	1,5	2"	2"	35,8	
ATAFN6	ATBR-6	3	2,2	-	-	7,6	4,3	-	-	36,0	35,0	33,0	30,0	25,0	19,0	13,0	2" 1/2	2"	40,5	



Atecpool FDN-3000

Centrifugal pump

Atecpool FDN-3000



2.900
R.P.M.

ENERGY EFFICIENCY IE3

Materials Cast Iron Version

Pump housing: Cast Iron

Impeller: Bronze / Aluminium

Screws: Stainless Steel AISI 316

Shaft: Stainless Steel AISI 316L

Mechanical Seal: Carbon + Resin - Ceramics

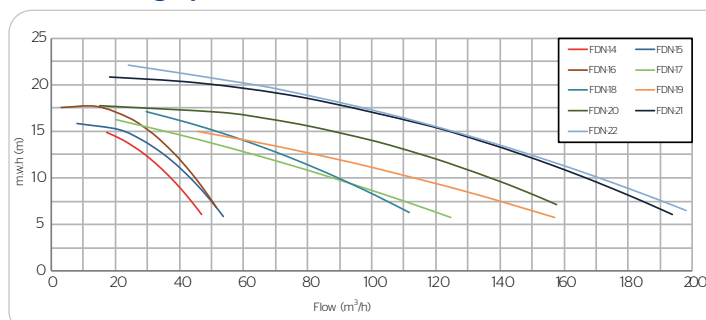
Atecpool FDN-3000 is a pool pump designed to offer the highest performance for the filtration and purification of water in commercial pools. All parts in contact with water are treated by long lasting cathaphoresis. This treatment prevents the formation of troublesome oxides on cast iron pumps as the paint chemically combines with all iron molecules located on the surface of the workpiece. The cathaphoresis significantly prolongs the life of cast iron and is one of the best anticorrosive and antioxidant treatments existing on the market today. Manufactured fully in bronze on request for use with sea water.

Atecpool FDN-3000 Specifications

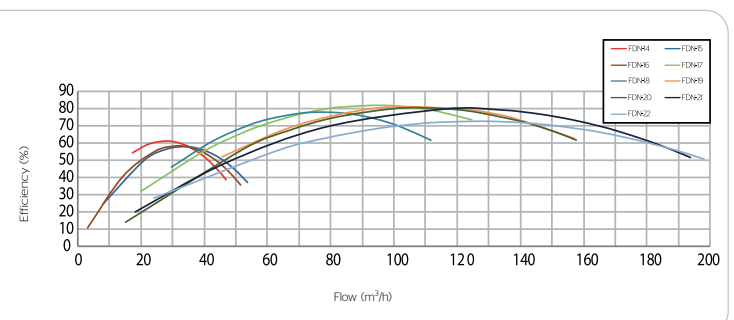
- High efficiency motor class IE3 according to regulation ECn° 640/2009
- Waterproof: IP55
- Flow rate: up to 190 m³/h
- Voltage: 230/400V or 400/690V
- Motor: 50Hz / 2900 rpm
- Available also at 60Hz
- Available in bronze for operation with salt chlorinators and sea water.

Code	Power	III 230/400V		III 400/690V		Manometric height w.c.m										Connections		Weight Kg	
		HP	KW	A	A	A	A	6	8	10	12	14	16	18	20	22	DNA IN		DNI OUT
FDN-14	BR-14	2	15	5.3	3.1	-	-	47	42	38	31	23	-	-	-	-	80	3" BSP	53
FDN-15	BR-15	3	22	7.6	4.3	-	-	54	48	44	38	28	8	-	-	-	80	3" BSP	55
FDN-16	BR-16	4	3	9.9	5.7	-	-	61	59	52	49	42	31	9	-	-	80	3" BSP	60
FDN-17	BR-17	4	3	9.9	5.7	-	-	125	108	83	70	51	20	-	-	-	100	100	68
FDN-18	BR-18	5.5	4	13.0	7.4	7.4	4.3	112	102	89	76	61	43	-	-	-	100	100	77
FDN-19	BR-19	5.5	4	13.0	7.4	7.4	4.3	157	130	123	89	64	-	-	-	-	125	100	90
FDN-20	BR-20	7.5	5.5	17.6	10.1	10.1	5.9	158	149	145	123	99	67	15	-	-	125	100	99
FDN-21	BR-21	10	7.5	-	-	13.5	7.8	194	180	167	151	134	113	88	51	-	125	100	104
FDN-22	BR-22	12.5	9.2	-	-	16.6	9.6	199	187	171	154	135	114	91	63	27	125	100	113

Performance graph

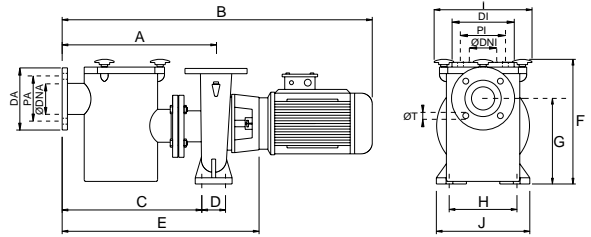


Efficiency graph



Atecpool Wave 3000

Centrifugal pump

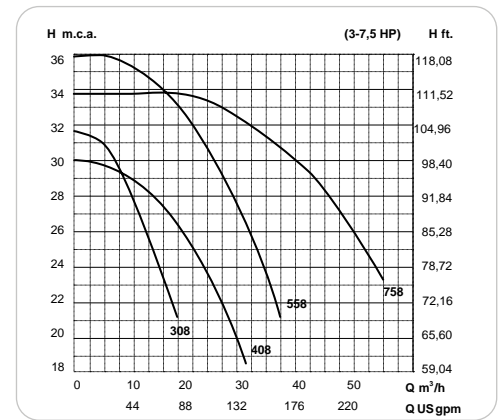


Atecpool Wave 3000 is a large volume centrifugal pump, to which a pre-filter has been attached to the inlet, making these the ideal pumps for large filtering units.

Atecpool Wave 3000 Specifications

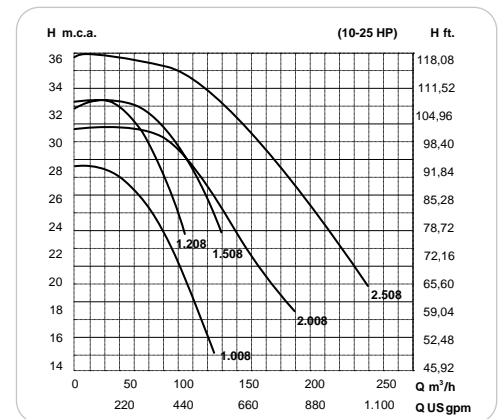
- Cast iron version: pump body, pre-filter, coupling in cast iron.
- Shaft and pre-filter sieve in AISI 316 stainless steel.
- Bronze impeller
- Mechanical seal in silicon carbide or tungsten carbon.
- Protection IP-55. 2 poles 50-60 Hz.
- Totally standard motor, allows the motor to be changed or repaired without emptying the installation.
- Standard asynchronous motor, sealed from external ventilation. Its standard construction allows it to be replaced with another standard motor.
- Motor: 3000 rpm

Performance graph



WAVE 3000 - (3 / 7,5HP)

note: 308 = AHF2308 758 = AHF2758 1508 = AHF1508
408 = AHF2408 1008 = AHF21008 2008 = AHF22008
558 = AHF2558 1208 = AHF21208 2508 = AHF22508



WAVE 3000 - (10 / 25HP)

Code	"A"		Manometric height wcm												
	HP	kW	230V	400V	18	20	22	24	25	27	30	32	35		
					Flow m³/h										
AHF2308	3	2,2	8,5	5,2	-	-	18	16	14	12	-	-	-		
AHF2408	4	3	11,8	7,1	-	29	26	24	22	18	6	-	-		
AHF2558	5,5	4	16,2	9,4	-	-	36	34	33	30	25	21	12		
AHF2758	7,5	5,5	-	14,2	-	-	-	54	52	48	41	32	-		
AHF21008	10	7,5	-	16,5	102	92	83	64	62	42	-	-	-		
AHF21208	10	7,5	-	16,5	-	-	-	88	84	74	56	36	-		
AHF21508	15	11	-	24,2	-	-	-	117	113	102	78	54	-		
AHF22008	20	15	-	32	-	165	140	125	118	114	85	-	-		
AHF22508	25	18,5	-	41,5	-	240	225	200	190	175	145	125	72		

Cast Iron	Dimensions										Intake					Output				Packing Dimensions			Weight kg	
	A	B	C	D	E	F	G	H	I	J	ØDNA	DA	PA	№T	ØT	ØDNI	DI	PI	№T	ØT	H ₁	A ₁		L ₁
AHF2308	460	878	425	70	606	415	262	190	265	245	65	185	145	4	18	32	140	100	4	16	660	400	1170	94
AHF2408	460	890	425	70	634	415	262	190	265	245	65	185	145	4	18	32	140	100	4	16	660	400	1170	105
AHF2558	460	890	425	95	634	415	262	190	265	245	65	185	145	4	18	32	140	100	4	16	660	400	1170	110
AHF2758	460	1075	425	95	673	415	262	190	305	300	65	185	145	4	18	40	150	110	4	18	660	400	1170	140
AHF21008	480	1095	445	95	693	415	262	190	305	300	65	185	145	4	18	50	150	110	4	18	660	400	1170	155
AHF21208	480	1095	445	120	693	415	290	212	306	301	65	185	145	4	18	50	165	125	4	18	660	400	1170	176
AHF21508	480	1261	-	-	723	415	290	254	355	350	80	200	160	8	18	65	185	145	8	18	430	400	1261	272
AHF22008	505	1286	-	-	748	415	295	254	355	350	100	220	180	8	18	80	200	160	8	18	430	800	1286	355
AHF22508	505	1286	-	-	748	415	295	279	355	350	100	220	180	8	18	80	200	160	8	18	430	800	1286	385



Atecpool FDN-1500-H

Centrifugal pump

Atecpool FDN-1500-H



Atecpool FDN-1500-H is a pool pump, specially designed for public pools, competition pools and spas. It is designed for use in large pools. All parts in contact with water are treated by long lasting cathaphoresis. This treatment prevents the formation of troublesome oxides on cast iron pumps as the paint chemically combines with all iron molecules located on the surface of the workpiece. The cathaphoresis significantly prolongs the life of cast iron and is one of the best anti-corrosive and anti-rust treatments existing on the market nowadays. Manufactured fully in bronze on request for use with seawater.

Materials Cast Iron Version

Pump housing: Cast Iron

Impeller: Cast Iron or Bronze

Prefilter basket: AISI 304

Shaft: Stainless Steel AISI 316L

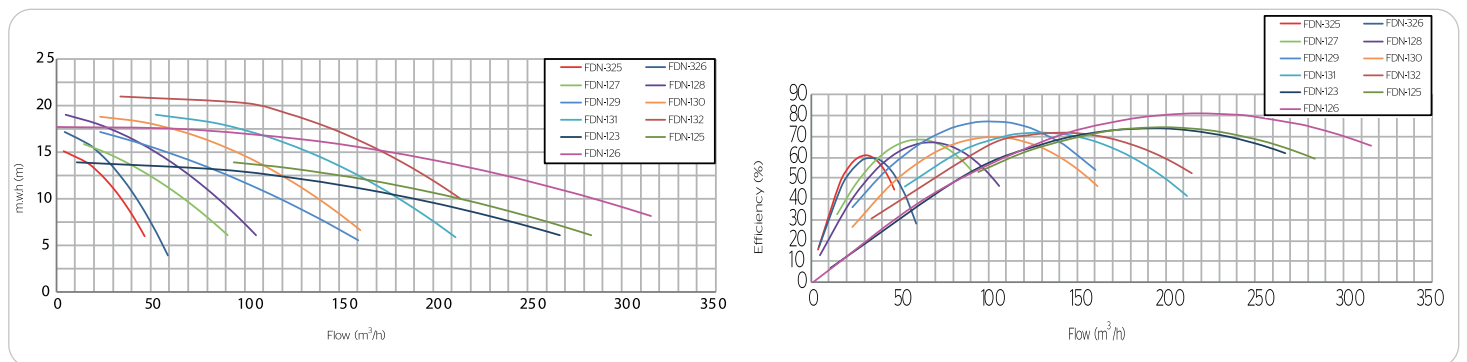
Screws: Stainless Steel AISI 316

Mechanical Seal: Carbon + Resin - Ceramics

Atecpool FDN-1500-H Specifications

- High efficiency motor class IE3 according to regulation ECn° 640/2009
- Waterproof: IP55
- Flow rate: up to 300 m³/h
- Voltage: 230/400V or 400/690V
- Motor: 50Hz / 1450 rpm
- Available also at 60Hz
- Available in bronze for operation with salt chlorinators and sea water.

Performance & Efficiency graph

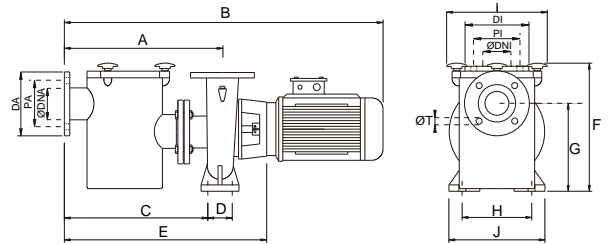


Code	Power		III				Manometric height w.c.m								DN		Weight Kg		
	HP	KW	230V/400V		400/690V		6	8	10	12	14	16	18	20	21	IN		OUT	
			A	A	A	A	Flow m ³ /h												
FDN-325 BR-325	2	1,5	5,7	3,3	-	-	47	41	34	26	16	-	-	-	-	100	50	84	
FDN-326 BR-326	3	2,2	7,9	4,5	-	-	54	48	42	36	28	17	-	-	-	100	50	89	
FDN-127 BR-127	4	3	10,5	6,0	-	-	91	80	68	54	35	15	-	-	-	100	80	103	
FDN-128 BR-128	5,5	4	13,8	7,9	7,9	4,6	106	80	86	73	61	45	22	-	-	100	80	111	
FDN-129 BR-129	7,5	5,5	18,6	10,7	10,7	6,2	160	97	118	96	76	42	-	-	-	125	100	143	
FDN-130 BR-130	10	7,5	-	-	14,3	8,3	162	155	140	126	107	82	46	-	-	125	100	153	
FDN-131 BR-131	12,5	9,2	-	-	17,5	10,1	212	197	181	163	145	121	84	-	-	150	100	213	
FDN-132 BR-132	15	11	-	-	20,4	11,8	-	-	214	198	184	164	141	100	-	150	100	243	
FDN-123	10	7,5	-	-	14,3	8,3	268	235	194	131	11	-	-	-	-	150	125	220	
FDN-125	12,5	9,2	-	-	17,5	10,1	284	254	215	164	94	-	-	-	-	150	125	228	
FDN-126	15	11	-	-	20,4	11,8	-	316	281	248	211	131	-	-	-	150	125	261	



Atecpool Coral 1500

Centrifugal pump

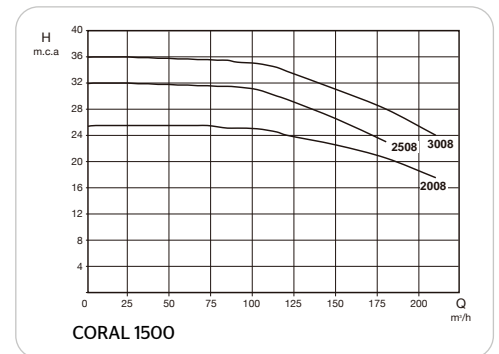
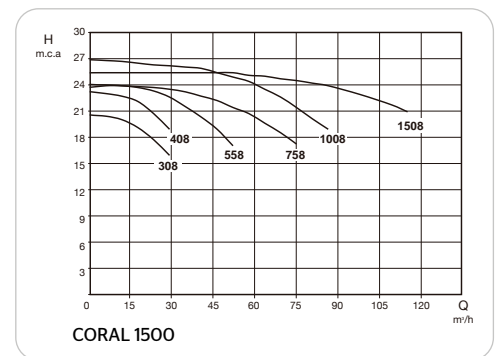


Atecpool Coral 1500 Cast Iron 1,450 RPM, centrifugal pump, to which a pre-filter has been attached to the inlet, making these the ideal pumps for large filtering units. The fact that the pump works with a 4 poles motor makes it very quiet and long lasting.

Atecpool Coral 1500 Specifications

- Pump body, support, pre-filter in cast iron. Shaft-coupling and pre-filter sieve in AISI 316 stainless steel.
- Mechanical seal in carbon - silicon carbide.
- Bronze impeller
- Standard asynchronous motor, sealed from external ventilation. Its standard construction allows it to be replaced with another standard motor at any time and in any place.
- Protection IP-55. 4 poles 50-60 Hz.
- Motor: 1450 rpm

Performance graph

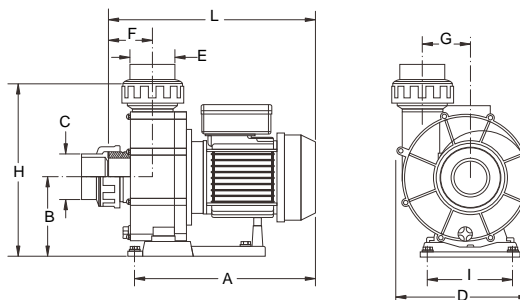


Code	"A"		Manometric height wcm											
	HP	kW	230V	400V	18	20	22	24	25	27	30	32	35	
					Flow m³/h									
AHF4300	3	2.2	94	5.5	23	13								
AHF4400	4	3	12.5	6.9		27	19							
AHF4550	5.5	4	17	9.2	51	43	33							
AHF4750	7.5	5.5	23	12	75	64	50	12						
AHF41000	10	7.5	-	15.5		85	75	63	54					
AHF41500	15	11	-	21.8			110	90	72					
AHF42000	20	15	-	32			190	160	120	102				
AHF42500	25	18.5	-	41.5				170	160	140	120	30		
AHF43000	30	22.5	-	52					210	200	190	160	102	

Cast Iron	Dimensions										Intake				Output				Packing Dimensions			Weight kg		
	A	B	C	D	E	F	G	H	I	J	ØDNA	DA	PA	NºT	ØT	ØDNI	DI	PI	NºT	ØT	H ₁		A ₁	L ₁
AHF4300	480	994	432	95	654	415	310	250	260	336	65	185	145	4	16	40	150	110	4	16	515	400	1000	127
AHF4400	480	994	432	95	654	415	310	250	260	336	65	185	145	4	16	40	150	110	4	16	515	400	1000	127
AHF4550	480	994	432	95	654	415	310	250	260	343	65	185	145	4	16	50	165	125	4	16	515	400	1000	139
AHF4750	480	1125	420	120	723	450	330	280	260	370	80	200	160	8	16	65	185	145	4	6	550	400	1200	195
AHF41000	505	1150	445	120	748	505	355	315	260	429	80	200	160	8	16	65	185	145	4	16	605	450	1200	211
AHF41500	505	1238	445	120	778	480	315	315	260	410	100	220	180	8	16	80	200	160	8	6	580	450	1300	306
AHF42000	520	1253	460	120	793	505	315	315	260	424	125	250	210	8	16	100	220	180	8	16	605	450	1300	324
AHF42500	520	1331	460	120	793	565	315	315	260	478	125	250	210	8	16	100	220	180	8	6	665	500	1400	364
AHF43000	520	1406	460	120	793	565	315	315	260	478	125	250	210	8	16	100	220	180	8	16	665	500	1500	376



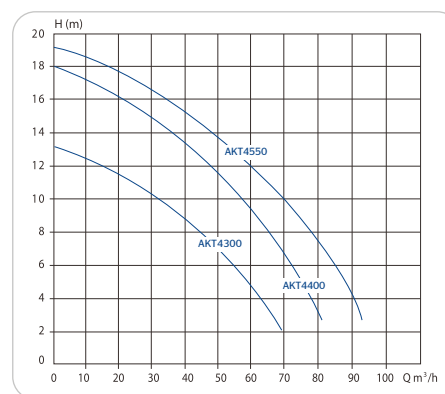
Atecpool Counter Current Super-Quiet pump



Atecpool Counter Current High-flow centrifugal pump.

- Pump body made in polypropylene reinforced with fibreglass, resistant to chemical products in the swimming pool, guaranteed to last a long time.
- Impeller in Noryl.
- Mechanical seal in graphite and ceramics.
- Motor shaft manufactured in stainless steel AISI 316L. 3HP single-phase motors at 230V-50Hz, or three-phase 3HP, 4HP or 5,5HP at 230/400V-50Hz motors, all at 3,000 rpm and IP-55 protection.
- Possibility of 60Hz upon request.
- Connections of suction and return at 3 1/2" for Ø 75 mm bush connections.
- Bush connections included with the pump

Performance graph



note:
3 = AKT4300
4 = AKT4400
5 = AKT4550

Code	Power		rpm	Manometric height w.c.m.								Connection	
	HP	kW		6	8	10	12	14	16	18	20	DNA	DNI
	Flow m³/h												
AKT4300	3	2.2	3,000	55	44	31	12	-	-	-	-	75	75
AKT4400	4	2.9	3,000	73	66	58	49	36	21	-	-	75	75
AKT4550	5.5	4	3,000	86	79	70	60	49	34	16	-	75	75

Code	Dimensions										Packing Dimensions
	A	B	C	D	E	F	G	H	I	L	Weight kg
AKT4300	370	156	Ø75	260	Ø75	77	95	319	168	420	20.5
AKT4400	410	156	Ø75	260	Ø75	77	95	319	168	450	23.5
AKT4550	410	156	Ø75	260	Ø75	77	92	319	168	450	25.5

Counter Current Control Panel Leak proof housing IP-67. With pneumatic switch for remote control. Pumps protection by motor circuit breaker.

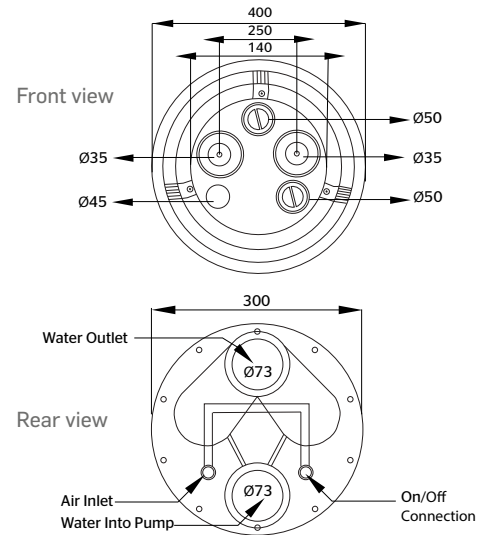
Code	A	HP	Weight	Volume
			kg	m³
AT173C	6.0 - 10.0 A	3.0 / 4.0 / 5.5 HP TRI	1.1	0.004



Atecpool Counter Current Nozzle

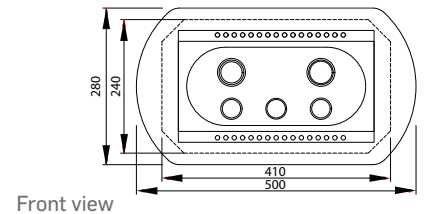
Counter current equipment

Atecpool Jet Stream Nozzle in stainless steel AISI 316



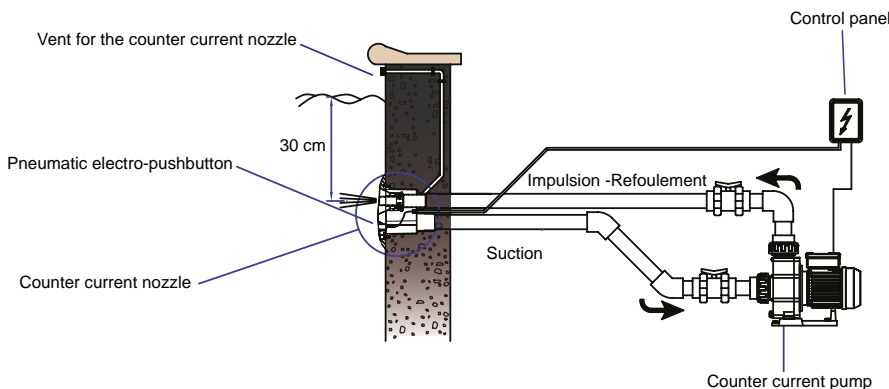
Atecpool Jet stream Nozzle in Stainless steel construction, highly competitive in hydraulic performance. The Jet swim pump is activated via the pneumatic switch. Wall mounted assembly with handle semi-circular, the regulator forces the impact of the water jet into nozzle of 35mm.

Installation of **Atecpool Jet Stream Nozzle** is hassle free with inlet outlet connections on the rear end. The center of the Jet stream housing must be 175 mm below the water surface. The stainless steel front plate is installed after the casting.



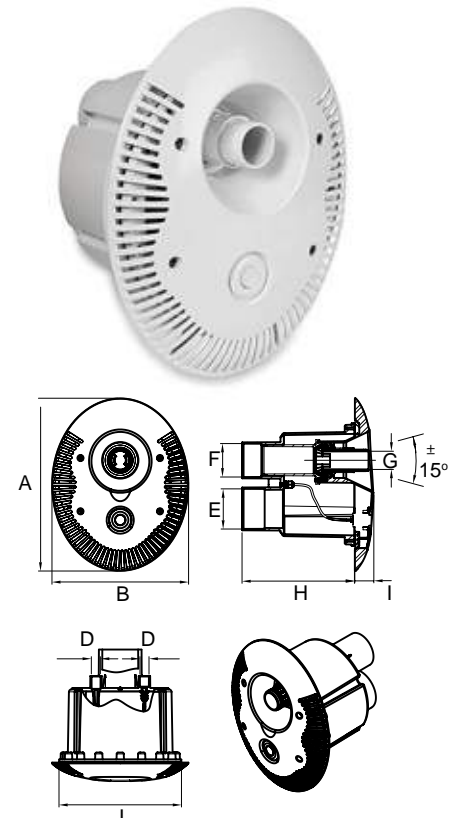
Code	Description	Dimensions (mm)	Pipe connection	Materials
AT019S	Double Jet stream nozzle 35mmx2 - Round shape	Ø 313	2,5"	Stainless Steel AISI 316
AT020S	Double Jet stream nozzle - Rectangular shape	500x280	2,5"	Stainless Steel AISI 316

Atecpool Counter Current Nozzle ABS made entirely of white ABS, totally resistant to UVA rays and the harsh chemicals generally used in swimming pools. Built-in pneumatic pushbutton to operate in relay with the pump's control box, (ATO34, ATO35, ATO36). Directional jet, venturi outlet, connections.



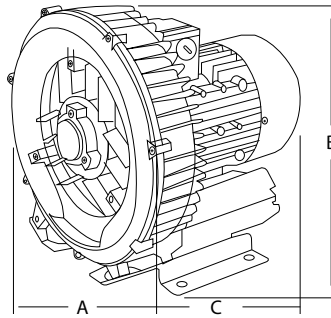
Code	Pool	Dimensions									Weight (kg)
		A	B	D	E	F	G	H	I	J	
ATO34	Concrete	390	310	Ø 205	Ø 90	Ø 75	41	255	435	Ø 278	2.5
ATO35	Prefabricated	390	310	Ø 205	Ø 90	Ø 75	41	255	435	Ø 278	2.5
ATO36	Liner	390	310	Ø 205	Ø 90	Ø 75	41	255	435	Ø 278	2.5

Safety: The Jet is strong, do not go closer than 0,4 m from the outlet. Small children to be accompanied by adults while Counter Current Jet in operation.



Atecpool Air Blowers

Heavy Duty



Code	Dimensions (mm)		
	A	B	C
AH140-850	261	266	225
AH210-131	287	302	280
AH210-161	335	335	320
AH215-181	350	365	375
AH315-301	375	383	405
AH420-321	375	383	405
AH505-380	442	462	420

Atecpool Air Blowers

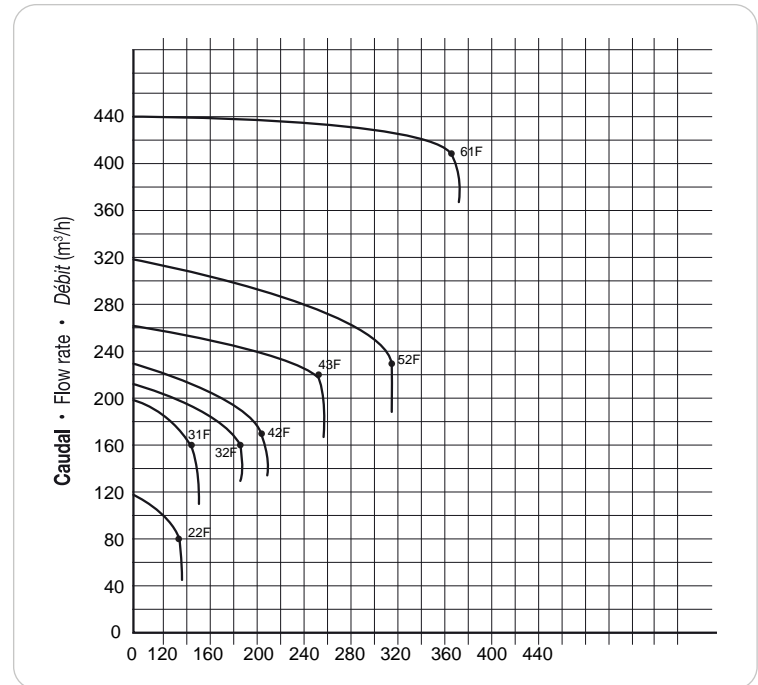
Pumps designed for bubble baths and swimming pools, water treatment, car drying, ventilation / dust removal, etc.

Atecpool Air Blower Specifications

Constructive characteristics: Blower pumps constructed entirely in **cast aluminum** and suitable for continuous operation. Single stage side channel pumps, without any maintenance.

Sealed asynchronous motor with external ventilation. Built in thermal protection. Single phase versions includes capacitor. IP-55 protection. Isolation class F.

Performance graph



Phase	Code	Curve	Output	Voltage	Max Flow	Max Pressure	Noise	Weight	Connection
			kW		(m³/h)	(mbar)			
Three Phase	AH140-850	22F	0.5	Δ 200-240 / Y 345 - 415	80	130	53	11	1 1/4"
	AH210-131	31F	0.75		145	160	63	16	1 1/2"
	AH210-161	32F	1.1		185	160	63	17	1 1/2"
	AH215-181	42F	1.3		210	170	64	22	2"
	AH315-301	43F	1.5		255	220	64	24	2"
	AH420-321	52F	2.2		318	230	69	28	2"
	AH505-380	61F	3		376	410	69	29	2"
Single Phase	AH80-400	22MF	0.5	230	80	130	53	11	1 1/4"
	AH140-131	31MF	0.75		145	160	63	16	1 1/2"
	AH210-151	32MF	1.1		185	160	63	17	1 1/2"
	AH215-171	42MF	1.3		210	170	64	22	2"
	AH315-221	43MF	1.5		255	220	64	24	2"

Atecpool Hydro Massage Pump

Whirlpool Pump

Atecpool HydroMassage Pump - Pump designed for its use in hydromassage equipment.

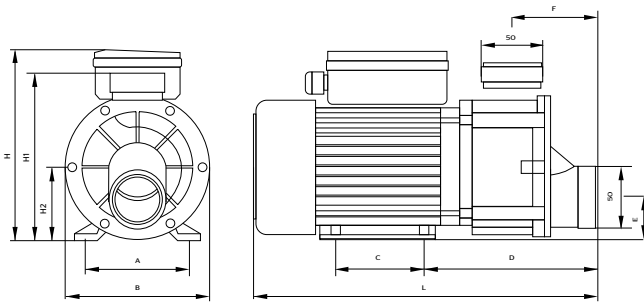
Atecpool Hydromassage pump is made for hot tubs in compliance with international safety standards on domestic appliances (IEC 335-1, IEC 34 and IEC 61-50). Wide range of flow rates and heights. The water is not in contact with any metal part of the pump, and this increases safety.



Atecpool Hydromassage Pump

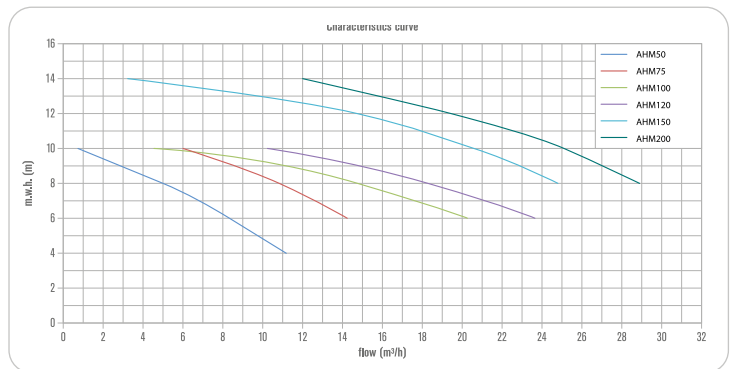
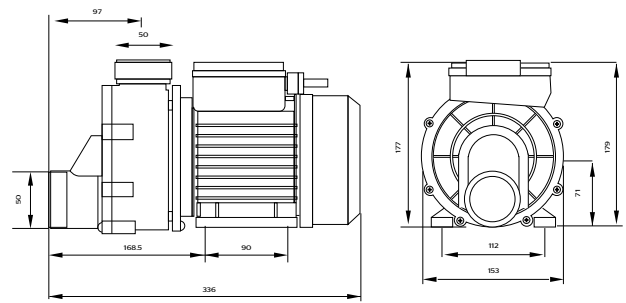
- Pump body and impeller: Polypropylene.
- Shaft: Stainless Steel AISI 420
- Mechanical seal: Carbon + Resin - Ceramics
- Motor: 2,900 rpm.
- Isolation class: F.
- Protection: IP55.
- Thermal protection: Included.

Atecpool Hydromassage Pump 50



Code	Dimensions										
	A	B	C	D	E	F	L	H	H1	H2	
AHM50	100	153	80	164	33	89	317	191	168	63	
AHM75	112	156	90	172	44	86	347	205	179	74	

Atecpool Hydromassage Pump 100/150



Code	Power				Cond. Capac. Cond.	II 230V	Manometric Height w.c.m.						Weight
	P ₁	P ₁	P ₂	P ₂			4	6	8	10	12	14	
	kW	HP	kW	HP			Flow rate m³/h						
AHM50	0.37	0.5	0.25	0.33	7	2.0	11.2	8.4	5.0	0.8	-	-	5.9
AHM75	0.55	0.75	0.37	0.5	10	3.2	-	14.2	10.9	6.0	-	-	7.9
AHM100	0.75	1	0.55	0.75	10	3.8	-	20.3	14.7	4.5	-	-	8.3
AHM120	0.9	1.2	0.65	0.85	15	4.6	-	23.6	18.2	10.3	-	-	8.8
AHM150	1.1	1.5	0.75	1	20	5.8	-	-	24.7	20.6	14.8	3.3	9.5
AHM200	1.5	2	1.1	1.5	30	7.0	-	-	28.9	25.1	19.4	12.0	10.0

Atecpool Submersible Pumps

Vespa Series

Atecpool Vespa Series Submersible Pump

Plastic Body Pump suitable for draining **clean water** without abrasive particles.

Vespa Series Plastic Body Pump Specifications

- 2,850 rpm
- Built-in thermal protector for single phase motor.
- Insulation class B/F.
- Pump body and pre-filter made in polypropylene reinforced with fibreglass.
- External Float Switch for automatic pump operation.
- Mechanical seal sets ceramic, graphite and rubber.
- Oil seal sets.
- Max liquid temperature 40°C.



Code	Power		Voltage / Hz	Max Submersion Depth	Max Flow	Max Grain Size	Max Temp of Liquid
	HP	kW					
AVP750	1	0.75	230 V / 50Hz	4	13,000	35	40

Atecpool Vespa Series SS Submersible Pump

Stainless Steel Body Pump suitable for draining **clean water** without abrasive particles.

Vespa Series SS Body Pump Specifications

- 2,850 rpm
- Built-in thermal protector for single phase motor.
- Insulation class B/F.
- Pump body made in stainless steel.
- External float switch for automatic pump operation
- Mechanical seal sets ceramic, graphite and rubber
- Oil seal sets
- Max liquid temperature 40°C



Code	Power		Voltage / Hz	Max Submersion Depth	Max Flow	Max Grain Size	Max temp of liquid
	HP	kW					
AVS750	1	0.75	230 V / 50Hz	4	13,000	35	40

Atecpool Prefilters

Cast Iron Series

Atecpool Prefilters Cast Iron

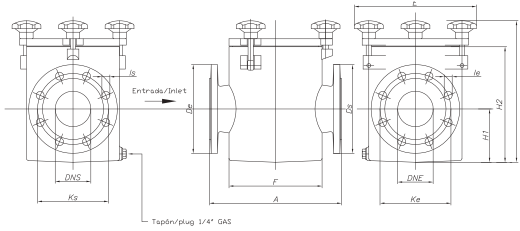
Cast iron and bronze prefilters for suspended solids filtration. Placed at the pump's inlet, it prevent impeller blocking. The cover fixing allows an easy access to the prefilter basket for maintenance.

Atecpool Prefilters Specifications

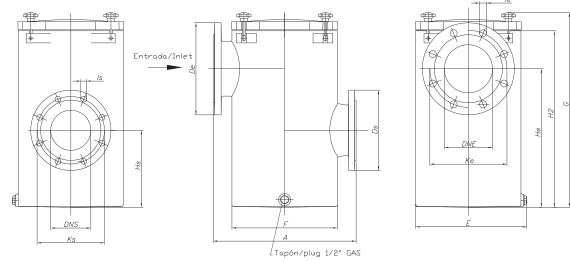
- Prefilter housing and cover: Cast Iron or Bronze
- Basket: Stainless Steel AISI 304
- Working pressure: 2 bar
- Working temp: 60°C Max
- Stainless steel Prefilters available on request.



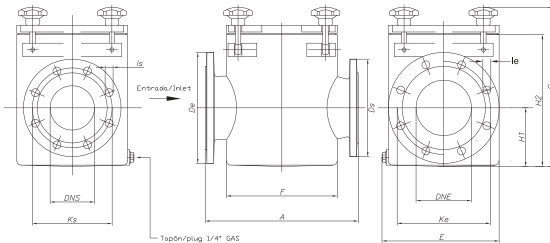
Dimensions for AF65/65 to AF100/100 model



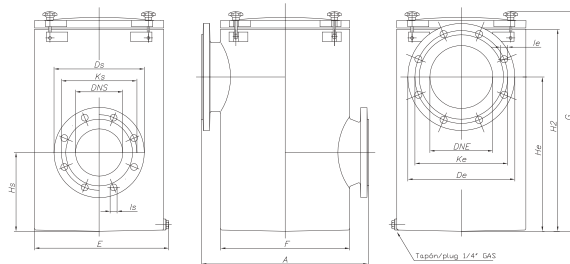
For AF150/125 to AF150/150 model



For AF125/100 to AF125/125 model



For AF200/150 to AF200/200 model



Code	Dimensions																			
	A	E	F	G	H1	H2	DNE	Ke	De	le	Bolts	DNE	Ks	Ds	Is	Bolts	Thumb nut	Lts.	GG25 kg	Br kg
AF65-65	300	275	210	320	120	260	65	145	185	19	4	65	145	185	19	4	3	11	195	22
AF80-2B	300	275	210	320	120	260	80	160	200	19	8	70	125	152	14	4	3	11	20,5	23
AF80-80	300	275	210	320	120	260	80	160	200	19	8	80	160	200	19	8	3	11	20,5	23
AF100-65	300	275	210	320	120	260	100	180	220	19	8	65	145	185	19	8	3	11	20,5	23
AF100-80	300	275	210	320	120	260	100	180	220	19	8	80	160	200	19	8	3	11	21	23
AF100-100	300	275	210	320	120	260	100	180	220	19	8	100	180	220	19	8	3	11	21,5	24
AF125-100	345	265	250	370	132	295	125	210	250	19	8	100	180	220	19	8	4	13	35	39
AF125-125	345	265	250	370	132	295	125	210	250	19	8	125	210	250	19	8	4	13	36	41

Code	Dimensions																			
	A	E	F	G	H2	HE	DNE	Ke	De	le	Bolts	HS	DNS	Ks	Ds	Is	Bolts	Lts.	GG25 kg	Br kg
AF150/125	445	347	330	610	550	430	150	240	287	23	8	240	125	210	250	19	8	42	76	86
AF150/150	445	347	330	610	550	430	150	240	287	23	8	240	150	240	287	23	8	42	77	87
AF200/150	528	426	410	698	640	490	200	295	340	23	8	250	150	240	287	23	8	84	96	109
AF200/200	528	426	410	698	640	490	200	295	340	23	8	250	200	295	340	23	8	84	98	111

Atecpool Pool Controls

Electric panel with VFD

Atecpool VFD Control Panel

VFD Control Panel. Voltage 3 x 400V 50Hz.

Selector MAN-O-AUTO.

2 clocks for filtration and speed control.

Selector by-pass VFD.



Atecpool VFD Control Panel Specifications

Cabinet:

- Metal wall-case
- Master switch
- Thermomagnetic panel and contactor
- 4 poles disconnector
- VFD protections
- Forced ventilation equipment with thermostat, protection grill and filters integrated in the panel.
- Cable entry and exit with cable glands

VFD:

- VFD CONTROL PANEL for synchronous and asynchronous motors
- Door mounted display panel
- Vnom: Operating speed at nominal speed, usually 50Hz
- Vmin: Minimum operating speed, at low revolutions.
- Programmable in the drive to ensure minimal filtering.

Signals:

- Indicators of operation and alarms in door by means of luminous lights
- Alarm light VFD: red
- Pump working light: green

Filtration time control:

- Clock 1 in which we must indicate the working hours of the pump. This control selects the operating hours of the pool filter.

Speed control:

- Clock 2 acts for speed control at low revolutions at peak times. We must indicate the peak hours of the cost of energy. For energy saving this control will activate the signal drive to work at low revolutions during peak hours, saving the corresponding economic costs.

Bypass selector for direct start:

- Models up to 12 A have a 2-position selector or bypass, which allows the VFD to be disabled and the pump to be operated directly by direct start.
- 2 positions selector: Start via VFD / DOL

Atecpool VFD Control Panel

Model	Voltage (V)	Input Power (kW)	Power (HP)	Current (A)	By Pass (m ³ /h)	Dimensions (m)
VFD4003A	3x400V	1.1	1.5	3	•	600x400x250
VFD4004A	3x400V	1.5	2	4	•	600x400x250
VFD4005A	3x400V	2.2	3	5	•	600x400x250
VFD4006A	3x400V	3	4	8	•	600x400x250
VFD4007A	3x400V	4	5.5	9	•	600x400x250
VFD4008A	3x400V	5.5	7.5	12	•	600x400x250
VFD4009A	3x400V	7.5	10	16		800x400x300
VFD4010A	3x400V	11	15	23		800x400x300
VFD4011A	3x400V	15	20	31		800x400x300
VFD4012A	3x400V	18.5	25	38		1000x600x300
VFD4013A	3x400V	22	30	45		1000x600x300
VFD4014A	3x400V	30	40	61		1000x600x300
VFD4015A	3x400V	37	50	72		1200x600x300

Atecpool Pool Controls

SmartSaver Frequency Inverter

Convert any pump to a variable speed pump

SmartSaver for smart savings

Frequency inverter is a device that converts alternating current of one frequency to another frequency, the result of this conversion leads to a motor speed change in pool pump application. You can choose between 35 different speeds between 1200 - 2900 RPM with an increment of 50 RPM to meet different applications that do not need the full speed and power from the pump, like heating, filtration, circulation.

SmartSaver added benefits

Timer program 4: timers for 24-hour operation, each with an individual speed for different pool features, filtration or heating, better take advantage of electricity tariff at different time of day.



Atecpool SmartSaver Specification

Model	Operation Condition (C°)	Input Power (AC)	Input Voltage (V)	Frequency (Hz)	Output Voltage (V)	Output Power (W)	Output Current (A)	Enclosure Rating	Pump Type	Speed Range (RPM)
SS100	-10 - 40°C	1ph AC	220V-240V	50 Hz	1ph, 0-240V	Max 1.1kW	Max 6A	IP65	1 phase	1200-2900
SS200	-10 - 40°C	1ph AC	220V-240V	50 Hz	1ph, 0-240V	Max 2.2kW	Max 12A	IP65	1 phase	1200-2900
SS103	-10 - 40°C	1ph AC	220V-240V	50 Hz	3ph, 0-240V	Max 1.1kW	Max 4.5A	IP65	3 phase	1200-2900
SS203	-10 - 40°C	1ph AC	220V-240V	50 Hz	3ph, 0-240V	Max 2.2kW	Max 8A	IP65	3 phase	1200-2900

Noise Level Comparison

170 W Power Consumption

1500 RPM Motor Speed

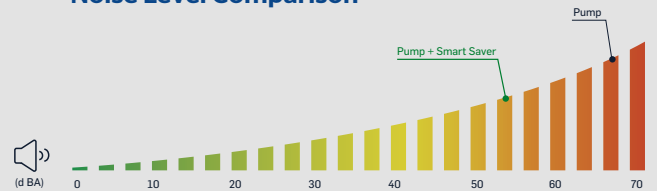
88:88 Current time

⌚ Sequence of timer (1/2/3/4)

⌚ Timer start / timer off

- 🌙 Night Operation (low speed)
- ☀️ Day operation (medium speed)
- 🚰 Backwash (high speed)
- 🔒 Lock Mode (night / day / backwash)
- ⬆️ Up / Down (adjust time or speed)
- ⌚ Timer (4 timers for 24-hours operation)

Noise Level Comparison



- 1 80% Energy Savings
- 2 80% sound level reduction
- 3 Improved filtration
- 4 4 Timers for 24-hours operation
- 5 Longer Lifespan







ATECPPOOL

FILTRATION

