

*Inspired
by Water*



RAINBOW

by ATECPPOOL



ATECPPOOL RAINBOW FOUNTAIN

ATECPPOOL RAINBOW Fountain Water fountain design concept is synonymous with graceful notion of dancing. With this fountain fundamental in mind, the concept design of the water feature is done, engineered at its best and delivered.

The design by ATECPPOOL Rainbow fountain aims to create the most pleasant visual effect of the combination of water and underwater multicolor LED lights. The overall performance to amaze



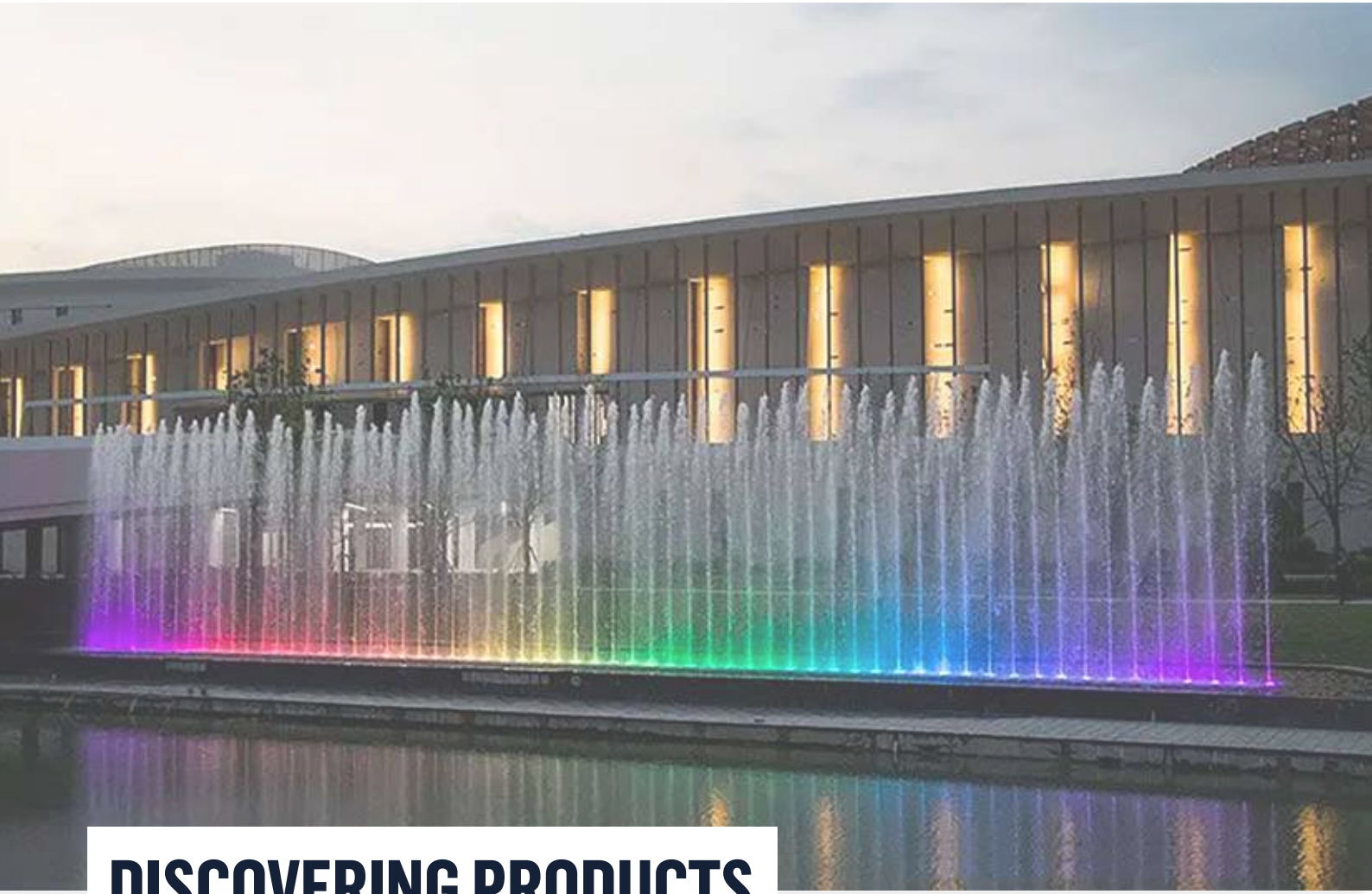
every eyes falling on this magical water effect.

The individual DMX signal makes sure that LED lighting at its best illumination effects, WaterSwitches used to improve the uniformity of the spray height and the switching speed of the water jet and musical fountains controls by Synchronorm Integrated Control System.

[Rainbow Fountain - magical water](#)



RAINBOW FOUNTAIN



DISCOVERING PRODUCTS



NOZZLES



**INTERACTIVE
FOUNTAINS**



**FOUNTAIN
LIGHTING**



**CONTROLLABLE
PUMPS**



CONTROLS



MAGICAL WATER

CREATING LIFE

Rainbow Fountain

Project References

Bugis Junction Plaza Fountain , Singapore

DMX Control system with 24 aerated jets and 12 jumping jets.



Rainbow Fountain

Project References

The Metropolis, Singapore

Linear array of LED foam effect jets, akin to a red carpet welcome.



THE METROPOLIS
FOUNTAIN

Rainbow Fountain

Project References

SHAW House, Orchard Road- Singapore

Jumping jets aligned along both sides of the mall entrance, welcoming shoppers.



SHAW HOUSE
ORCHARD ROAD

Rainbow Fountain

Project References

Sadong Jaya, Malaysia

DMX programmed 50 comet nozzle on waterswitch, fully integrated fountain display.



Rainbow Fountain

Project References

Pandan Lake, Kuala Lumpur, Malaysia

DMX programmed floating fountain with waterswitch, bringing out night beauty of this lake with color abundance.



PANDAN LAKE
KUALA LUMPUR

Rainbow Fountain

Project References

Kenjeran Surabaya, Indonesia

Dancing musical fountain , 64 comet nozzles mounted on waterswitches with exclusive magical water effects.



1. IMAGINATION



2. CONCEPTUALIZATION



3. DESIGN



4. INNOVATION



5. QUALITY



COMPLETE FOUNTAIN SOLUTIONS



- > Concept Design & Development
- > 3D Rendering / 3D Animations
- > Technical Support & Site Evaluation

- > Product offerings and Inventory
- > Production & Manufacturing
- > Start-Up & Commissioning

Rainbow Fountain

Comet Nozzles

Comet Nozzles

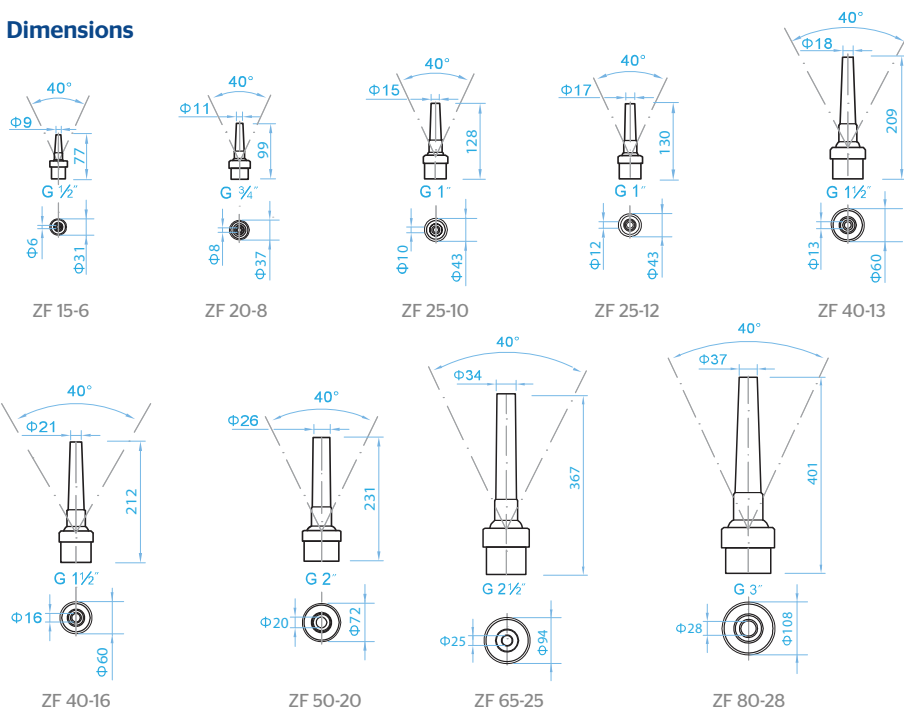


Comet Nozzles Specifications

- Stainless steel AISI 316
- Clear stream jet
- Good resistance to wind
- Water level independent
- Adjustable spray angle

Code	BSP. connection	Flow/Head	SPRAY HEIGHT (m)													
			0,5	0,75	1	1,5	2	2,5	3	4	5	6	8	10	12	15
ZF 15-6	1/2"	LPM	7	10	12	15	17									
		Head in mtr	0,5	0,8	1	1,5	2									
ZF 20-8	3/4"	LPM	11	15	19	23	27	31	35	37						
		Head in mtr	0,5	1	1,5	2	2,5	3	4	5						
ZF 25-10	1"	LPM	18	24	27	32	35	40	46	53	60					
		Head in mtr	0,5	0,8	1	1,5	2	2,5	3	4	5					
ZF 25-12	1"	LPM	23	25	27	35	55	58	63	75	87	95				
		Head in mtr	0,6	0,8	1	1,5	2,1	2,5	3,5	5	7	8,5				
ZF 40-13	1 1/2"	LPM			42	46	50	57	63	79	102	120	140	180		
		Head in mtr			1,4	1,8	2	2,5	3	4,8	7	11	19	23		
ZF 40-16	1 1/2"	LPM				80	88	98	118	140	180	200	230			
		Head in mtr				2	2,5	3	4,5	6	8	10	12			
ZF 50-20	2"	LPM						160	200	225	246	270	293			
		Head in mtr							3,5	6	7,5	9,5	11,5	15		
ZF 65-25	2 1/2"	LPM						280	326	369	405	450	490	531		
		Head in mtr							4,6	6	7,5	9	11	16,8	22,5	
ZF 80-28	3"	LPM								439	479	552	618	800	880	
		Head in mtr									7,1	8,6	12	14	17	25

Dimensions



Rainbow Fountain

Sphere Nozzles

Sphere Nozzle

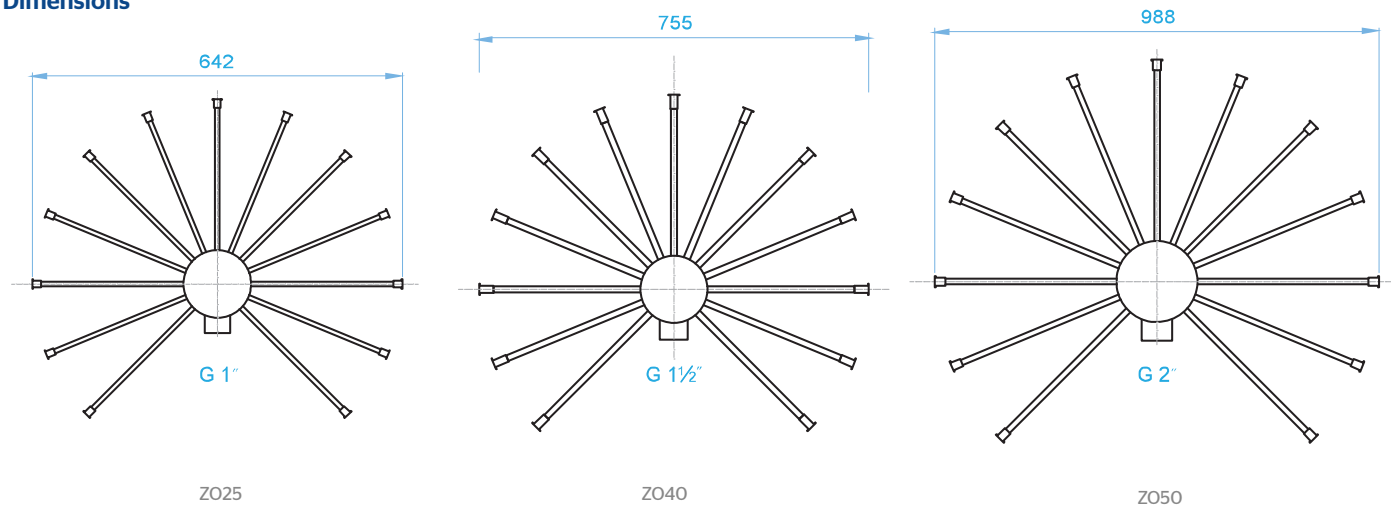


Code	BSP. connection	Flow/Head	SPRAY HEIGHT (m)	
			1	2
Z025	1"	LPM	140	
		Head in mtr	2.2	
Z040	1 1/2"	LPM	202	
		Head in mtr	2.2	
Z050	2"	LPM	350	
		Head in mtr	2.2	

Sphere Nozzles Specifications

- Stainless steel AISI 316 / Brass plated chrome
- Impressive water display
- Decorative high-grade steel sculpture
- Water level independent

Dimensions



Rainbow Fountain

Variety Nozzles

Variety Nozzle

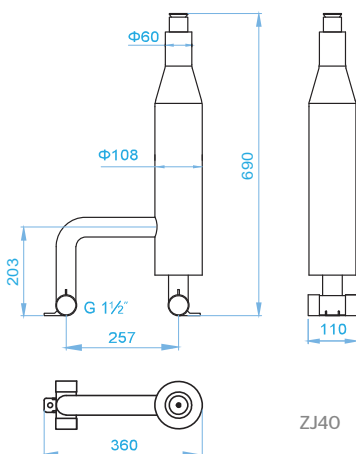


Variety Nozzles Specifications

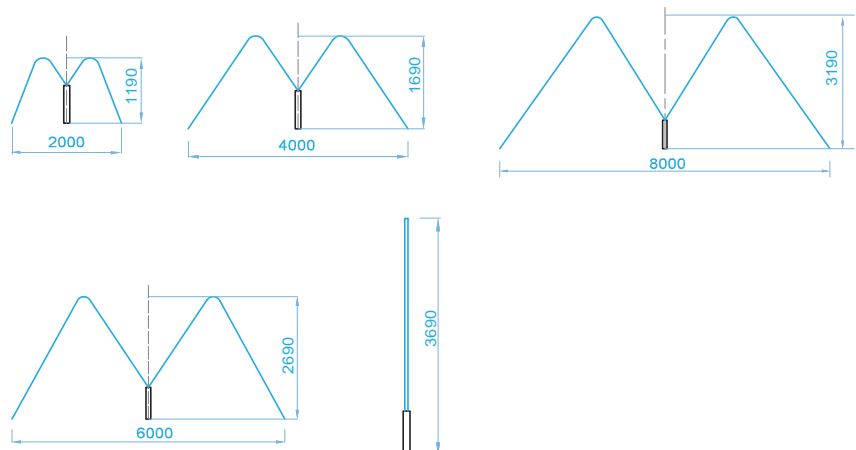
- The Variety jet creates a dynamic variable water pattern
- The nozzle is driven by two pumps controlled with VFD
- Compact robust stainless steel AISI 316 Nozzle
- 2 pressure connections
- Nozzle with DN40 nipple

Code	BSP. connection	Spray Pattern	Flow/Head	SPRAY HEIGHT (m)				
				0,5	1	2	2,5	3
ZJ40	1 1/2"	Water Bell	LPM	80	123	187	220	
			Head in mtr	1,5	3	5,7	7,4	
		Single Stream	LPM		111	170		220
			Head in mtr		4	6,5		9

Dimensions



Water Spray Effect



Rainbow Fountain Foam Nozzles

ZM-Series Foam Nozzle

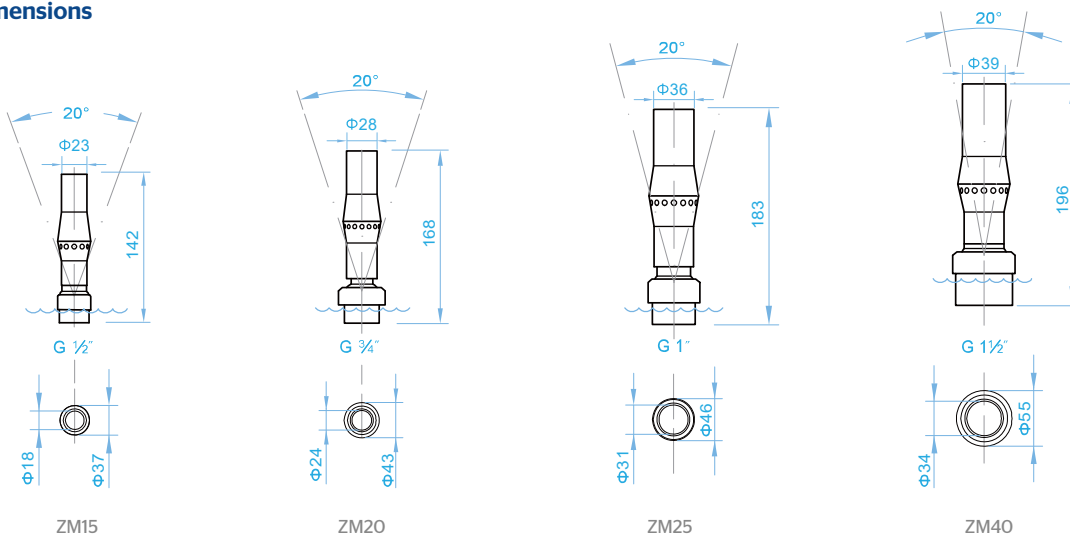


Foam Nozzles Specifications

- Stainless steel AISI 316
- Foamy jet
- Good resistance to wind
- Water level dependent
- Adjustable spray angle

Code	BSP. connection	Flow/Head	SPRAY HEIGHT (m)								
			0,5	0,75	1	1,50	2	3	4	5	6
ZM15	1/2"	LPM	20	28	32	40	46	58	70		
		Head in mtr	0,5	1,8	2	3,5	4,5	7	11		
ZM20	3/4"	LPM	26	35	38	48	56	69	91	110	
		Head in mtr	0,6	0,8	1,2	2	3	4,8	8	12	
ZM25	1"	LPM	47	55	65	83	95	112	142	166	180
		Head in mtr	0,7	1	1,5	2,2	3,4	5,4	8	10	12
ZM40	1 1/2"	LPM	82	100	112	142	170	220	270	320	370
		Head in mtr	1	2	3	5	6	11	16	21	26

Dimensions



Rainbow Fountain Foam Nozzles

ZG-Series Foam Nozzle



ZG25P

ZG25

ZG40

ZG50



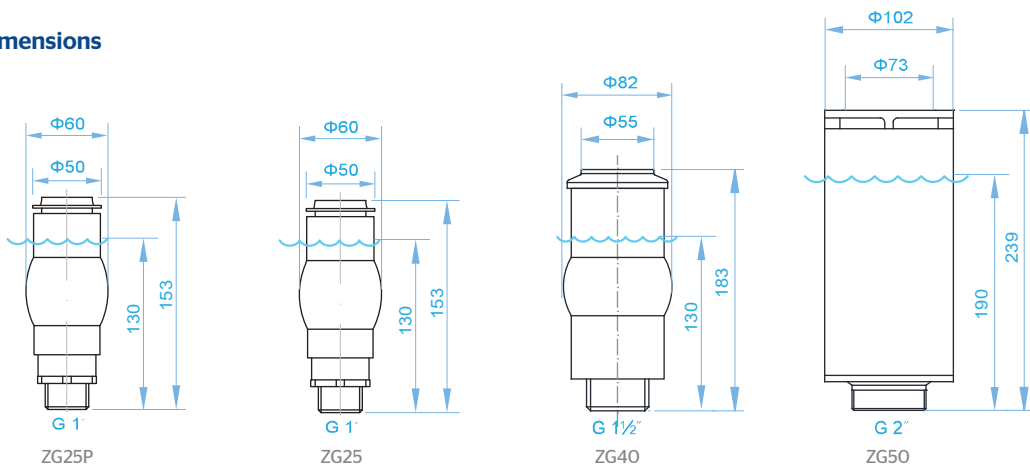
Foam Nozzles Specifications

- Stainless steel shell (ZG25P)
- Stainless steel AISI 316 (ZG25, ZG40, ZG50)
- Foamy jet
- Water level dependent
- Optional swivel connector



Code	BSP. connection	Flow/Head	SPRAY HEIGHT (m)								
			0,5	0,75	1	1,50	2	2,5	3	4	5
ZG25P	1"	LPM	46	60	73	90	100	110	130	160	195
		Head in mtr	0,5	1	1,8	2,8	5	6	7	9	14
ZG25	1"	LPM	46	60	73	90	100	110	130	160	195
		Head in mtr	0,5	1	1,8	2,8	5	6	7	9	14
ZG40	1 1/2"	LPM	120	144	171	215	256	300	340	398	451
		Head in mtr	1	1,4	1,9	2,6	3,8	4,9	6	7,5	9,5
ZG50	2"	LPM			320	390	450	516	583	716	775
		Head in mtr			1,5	1,8	2,1	3,2	4,5	6	9

Dimensions



Rainbow Fountain Foam Nozzles

ZE - Series Foam Nozzle

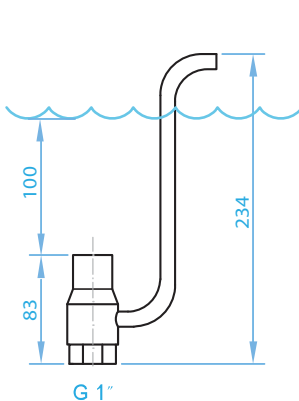


Foam Nozzles Specifications

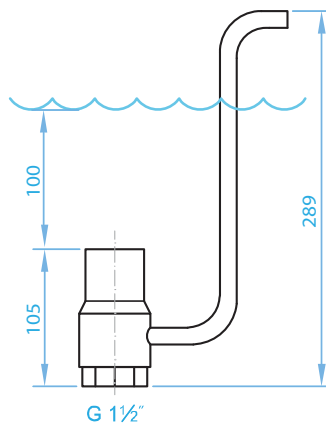
- Stainless steel AISI 316
- Aerated water at low levels with a splashy frothy column at high levels
- Water level dependent

Code	BSP. connection	Flow/Head	SPRAY HEIGHT (m)								
			0,5	0,75	1	1,50	2	2,5	3	4	5
ZE25	1"	LPM	50	60	65	70	75	81	90	107	125
		Head in mtr	0,5	0,8	1	1,5	2	3	4	6	8
ZE40	1 1/2"	LPM	75	78	80	85	101	111	128	154	185
		Head in mtr	0,7	0,9	1,5	2	3	4	5	7	11

Dimensions



ZE25



ZE40

Rainbow Fountain

Stream Nozzles

Stream Nozzle



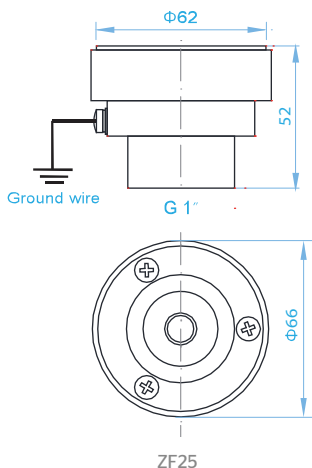
Stream Nozzles Specifications

- Can be installed vertically or horizontally with jet angle adjustment up to 25°
- The slender column of water produced by the 10mm diameter opening is best used as a small to medium water feature nozzle
- Water level independent
- Stainless steel AISI 316 construction and complete with bonding screw

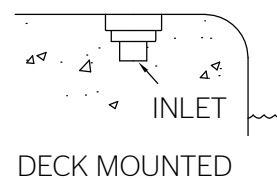
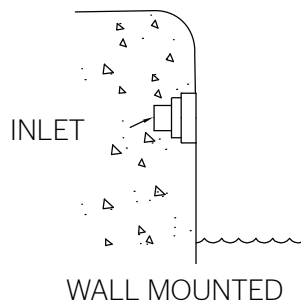
This directionally adjustable clear stream nozzle is designed for applications that require flush deck level mounting such as swimming pool decks and children's public water play areas.

Code	BSP connection	Flow/Head	SPRAY HEIGHT (m)						
			1	1,5	2	2,50	3	4	5
ZF25	1"	LPM	15	22	26	30	34	44	60
		Head in mtr	1,2	2	3	3,5	4	7	11
		Throw in mtr	1	2	3				
		LPM	18	27	37				
		Head in mtr	1,8	3	5				

Dimensions



Mounting Options



Rainbow Fountain

Cascade Nozzles

Cascade Nozzle



ZBG Series

ZB Series

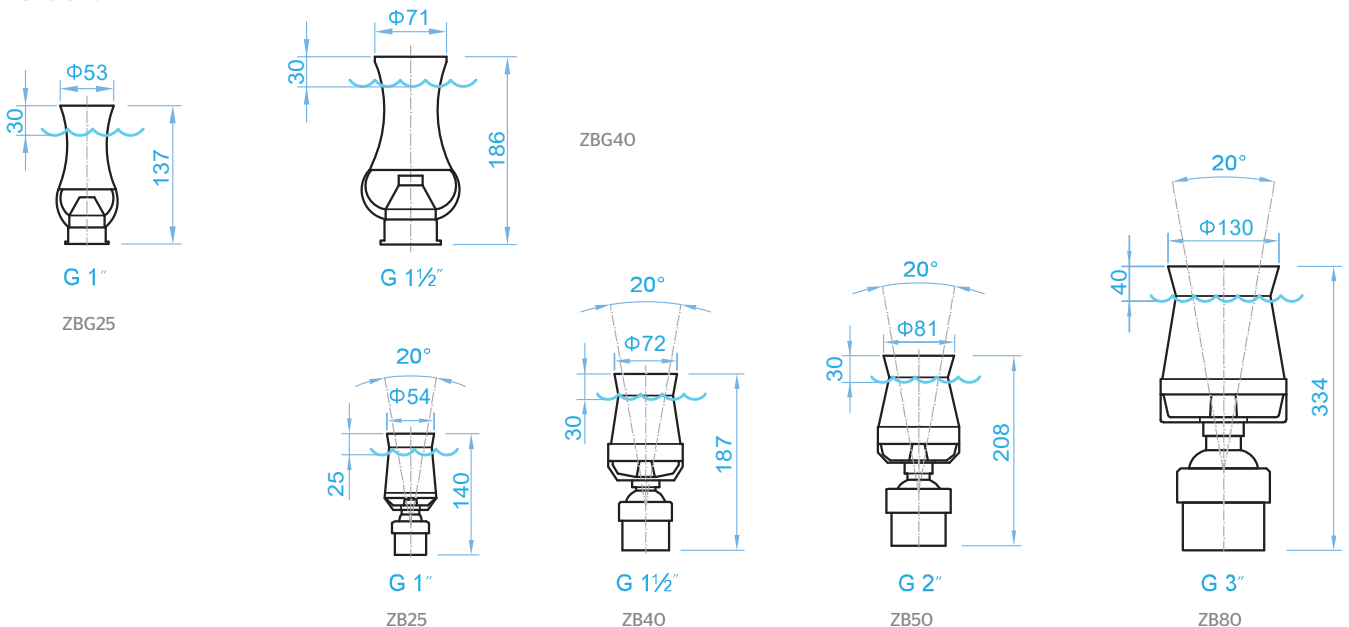


Cascade Nozzles Specifications

- Stainless steel AISI 316
- Cone-shaped effect
- Foamy effect with rich mixture of air
- Water level dependent
- ZB series with adjustable spray angle

Code	BSP. connection	Flow/Head	SPRAY HEIGHT (m)													
			0,25	0,5	0,75	1	1,50	2	3	4	5	6	7	8	9	10
ZBG25	1"	LPM	35	40	50	55	65	75	80	90	103	130				
		Head in mtr	0,8	1	2	2,1	4	5,5	7	11	14	20				
ZBG40	1 1/2"	LPM	75	90	105	120	150	180	210	240	270	300	330			
		Head in mtr	1	1,5	2,5	3	4	6	9	12	14	17	20			
ZB25	1"	LPM	34	40	48	55	66	74	80	91	103	150				
		Head in mtr	0,5	1	1,5	2	4	5	7	9	11	21				
ZB40	1 1/2"	LPM	75	90	105	120	130	142	180	220	260	300	340			
		Head in mtr	1,5	2	3	4	5	6	10	15	20	25	30			
ZB50	2"	LPM	101	108	116	125	142	158	192	226	260	294	328	362		
		Head in mtr	2	2,5	3,5	4,5	5,5	7	11	15	19	23	27	31		
ZB80	3"	LPM				381	432	484	542	606	670	734	798	862	926	990
		Head in mtr				4	7	10	13	16	19	22	25	28	31	34

Dimensions



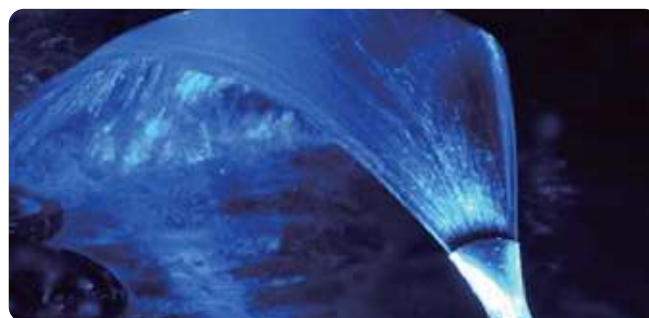
Rainbow Fountain

Fan Nozzles / Flat Nozzles

Fan Nozzle



Flat Nozzle



Fan Nozzles Specifications

- Stainless steel AISI 316
- A fan shaped display
- Display a fan-shaped spray pattern with an angled installation.
- Water level independent

Flat Nozzles Specifications

- Stainless steel AISI 316
- A fan shaped display
- Display an ideal parabolic spray pattern with an angled installation.
- Water level independent

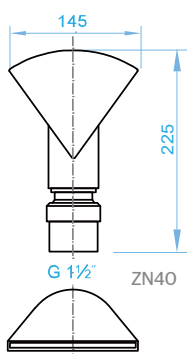
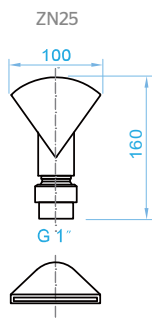
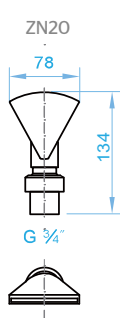
Atecpool Fan Nozzle

Code	BSP.connection	Flow/Head	SPRAY HEIGHT (m)							
			0,5	0,75	1	1,50	2	2,5	3	4
ZN20	3/4"	LPM	30	34	36	50	62			
		Head in mtr	0,5	0,8	1,2	1,7	2,4			
ZN25	1"	LPM	45	64	72	95	110	138	150	
		Head in mtr	0,5	0,8	1,2	1,7	2,5	3,5	4,5	
ZN40	1 1/2"	LPM	59	92	97	120	142	175	190	220
		Head in mtr	0,5	0,8	1,2	1,7	2,5	3,5	4,5	5,5

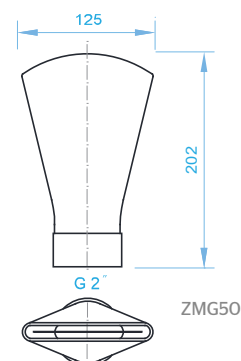
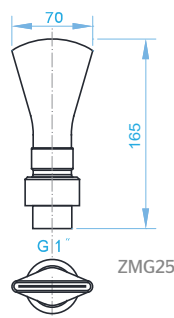
Atecpool Flat Nozzle

Code	BSP.connection	Flow/Head	SPRAY HEIGHT (m)					
			0,5	0,75	1	1,50	1,75	2
ZMG25	1"	SPB (spray width) in mtr	1	1,5	2	3	3,8	
		LPM	94	116	134	165	179	
		Head in mtr	0,6	1,1	1,3	1,9	2,3	
ZMG50	2"	SPB (spray width) in mtr	1,5		3	4		5,5
		LPM	167		234	267		367
		Head in mtr	0,5		1	1,5		2

Dimensions



Dimensions



Rainbow Fountain

Finger Nozzles

Finger Nozzle



ZRG50



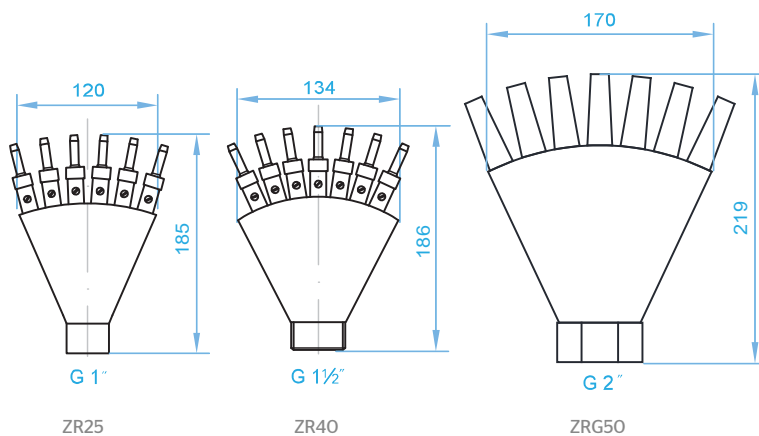
ZR Series

Finger Nozzles Specifications

- Stainless steel AISI 316 /Brass plated chrome
- A finger-like fan shaped display
- ZR series can be used vertically or angled to provide a decorative water display
- Water level dependent

Code	BSP. connection	Flow/Head	SPRAY HEIGHT (m)					
			1	1,5	2	2,5	3	4
ZR25	1"	LPM	20	31	42	51	62	75
		Head in Mtr	2	3,2	5,8	8,8	12	16
ZR40	1 1/2"	LPM	18	25	34	38	45	64
		Head in Mtr	1	2	4	5	6	10
ZRG50	2"	LPM				200	217	267
		Head in Mtr				3,5	5	7

Dimensions



Rainbow Fountain

Water Fog Nozzles

Water Fog Nozzle



ZW15

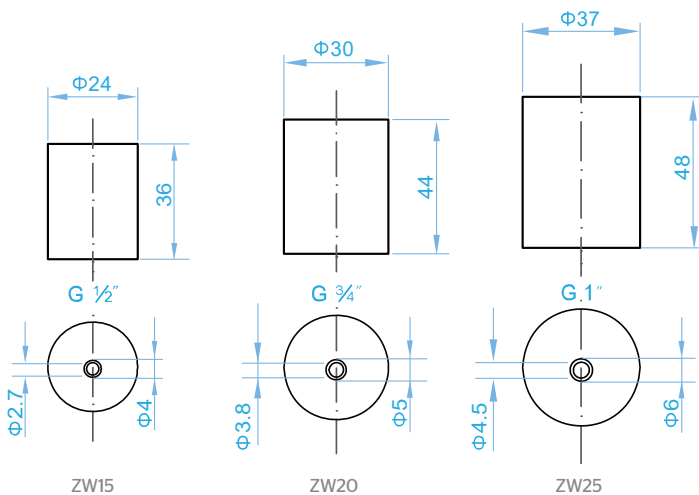


Water Fog Nozzles Specifications

- Stainless steel AISI 316
- Misty romantic water display
- Water level independent

Code	BSP. connection	Flow/Head	SPRAY HEIGHT (m)				
			1	1,5	2	2,5	3
ZW15	1/2"	LPM	14	22	30		
		Head in Mtr	7	16	25		
ZW20	3/4"	LPM	17	27	38		
		Head in Mtr	1	2	3		
ZW25	1"	LPM	20	28	35	43	50
		Head in Mtr	10	17,5	25	33	40

Dimensions



Rainbow Fountain

Water Bell Nozzles

Water Bell Nozzle

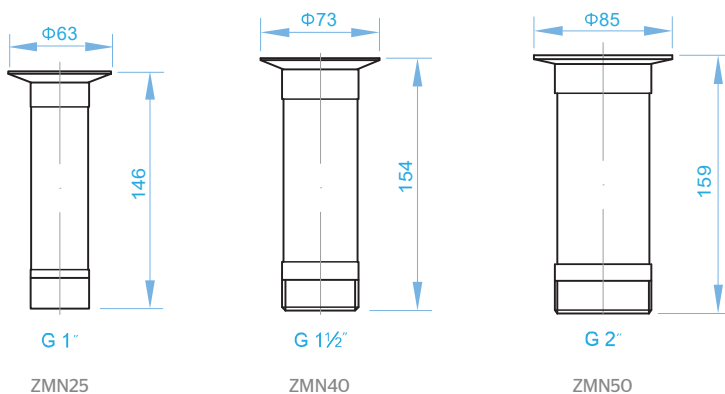


Water Bell Nozzles Specifications

- Stainless steel AISI 316
- Transparent water film
- Adjustable bell diameter
- Silent running
- Water level independent

Code	BSP. connection	Flow/Head	SPRAY HEIGHT (m)		
			0,5	0,75	0,9
ZMN25	1"	LPM Head in Mtr	18		
ZMN40	1 1/2"	LPM Head in Mtr		35	
ZMN50	2"	LPM Head in Mtr			38

Dimensions



Rainbow Fountain

Spinning Nozzles

Spinning Nozzle

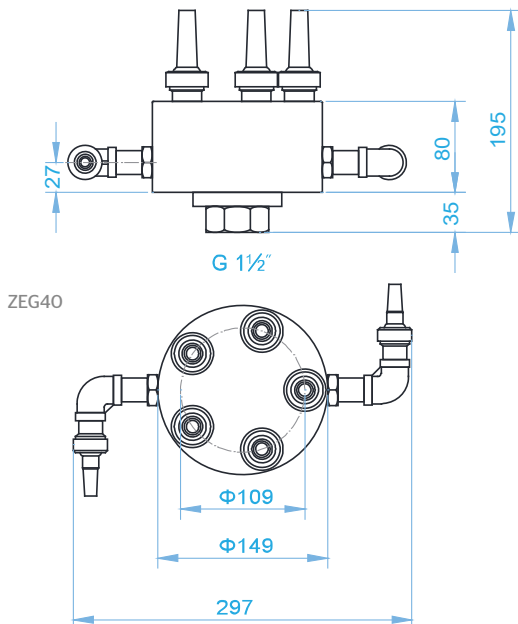


Spinning Nozzles Specifications

- Stainless steel AISI 316
- Rotating water pattern
- Water level independent

Code	BSP. connection	Flow/Head	SPRAY HEIGHT (m)					
			1	1,5	2	2,5	3	4
ZEG40	1 1/2"	SPB (spray width) in mtr	2	3,1	4	4,4	5	6
		LPM	141	173	199	223	244	282
		Head in mtr	2,5	3,8	5	6,3	7,6	10,1

Dimensions



Rainbow Fountain

Cluster Nozzles

ZP - Series Cluster Nozzle

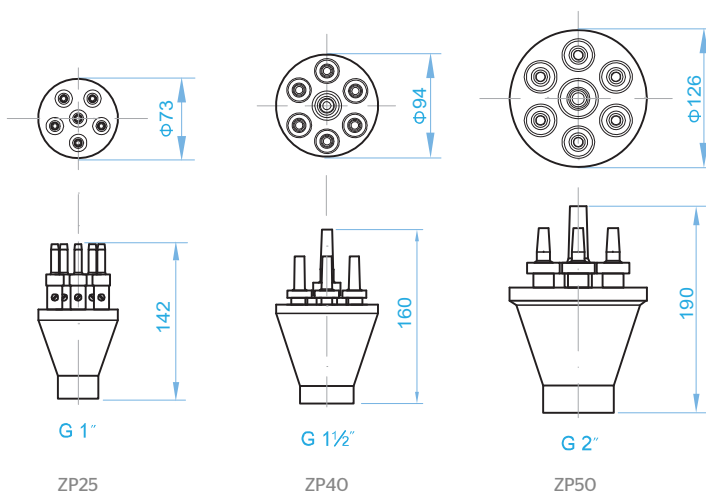


Cluster Nozzles Specifications

- Stainless steel AISI 316 (ZP40,ZP50)
- Stainless steel AISI 316 / Brass plated chrome (ZP25)
- Precise full stream
- Multi-stepped water pattern
- Easy to clean
- Water level independent

Code	BSP. connection	Flow/Head	SPRAY HEIGHT (m)							
			0,5	0,75	1	1,50	2	2,5	3	4
ZP25	1"	LPM	16	19	21	26	34	36	43	50
		Head in mtr	0,5	0,8	1	1,8	2,4	2,8	4	7
ZP40	1 1/2"	LPM	68	75	89	131	156	172	191	230
		Head in mtr	0,5	0,8	1	1,5	2	3	4,5	6
ZP50	2"	LPM	82	108	124	162	190	210	230	250
		Head in mtr	0,5	0,8	1	1,5	2	3	4	8

Dimensions



Rainbow Fountain

Cluster Nozzles

ZPT - Series Cluster Nozzle



ZPT25

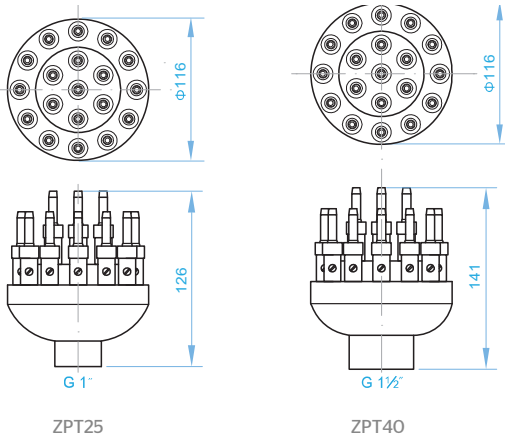


Cluster Nozzles Specifications - ZPT - Series

- Stainless steel AISI 316 / Brass plated chrome
- Precise full stream
- Multi-stepped water pattern
- Easy to clean
- Water level independent

Code	BSP. connection	Flow/Head	SPRAY HEIGHT (m)					
			0,5	0,75	1	1,50	2	2,5
ZPT25	1"	LPM	50	66	68	85	110	120
		Head in Mtr	0,5	1	1,2	2	3,5	4
ZPT40	1 1/2"	LPM	50	62	70	90	120	140
		Head in Mtr	0,5	1	1,2	2	3,2	4

Dimensions



Rainbow Fountain

Annular Nozzles

Annular Nozzle



ZA25

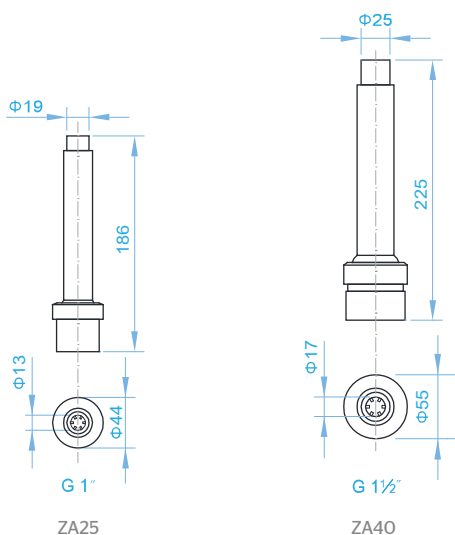


Annular Nozzles Specifications

- Stainless steel AISI 316
- Easy to clean
- Water level independent

Code	BSP connection	Flow/Head	SPRAY HEIGHT (m)										
			0,5	0,75	1	1,50	2	2,5	3	4	5	6	7
ZA25	1"	LPM	24	27	31	41	46	55	58	70	95		
		Head in mtr	1	1,2	1,5	2,1	2,8	3,8	4,1	6,5	10		
ZA40	1 1/2"	LPM	50	60	70	85	96	108	115	125	140	160	200
		Head in mtr	1,8	2	2,2	2,8	4	5	6	7	8	9	12

Dimensions



Rainbow Fountain

Aerated Nozzles

Aerated Nozzle



ZMA25

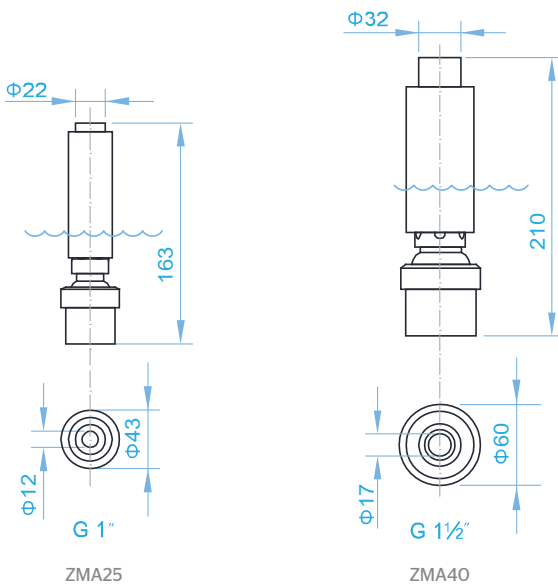


Aerated Nozzles Specifications

- Stainless steel AISI 316
- Easy to clean
- Water level dependent

Code	BSP. connection	Flow/Head	SPRAY HEIGHT (m)										
			0,5	0,75	1	1,50	2	2,5	3	4	5	6	7
ZMA25	1"	LPM	20	23	28	36	43	48	53	61	71		
		Head in mtr	0,5	1	1,1	1,8	2,5	3	3,8	5	6,5		
ZMA40	1 1/2"	LPM	40	48	55	72	80	92	100	110	120	130	180
		Head in mtr	1,8	2	2,2	3,2	4	4,5	5,2	6	7	8	12

Dimensions

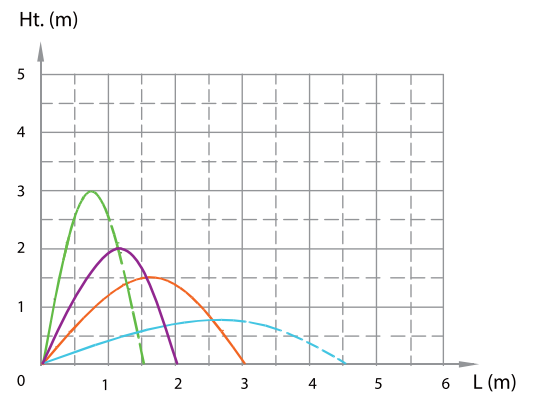


Rainbow Fountain

Z20-12 Jumping Jet



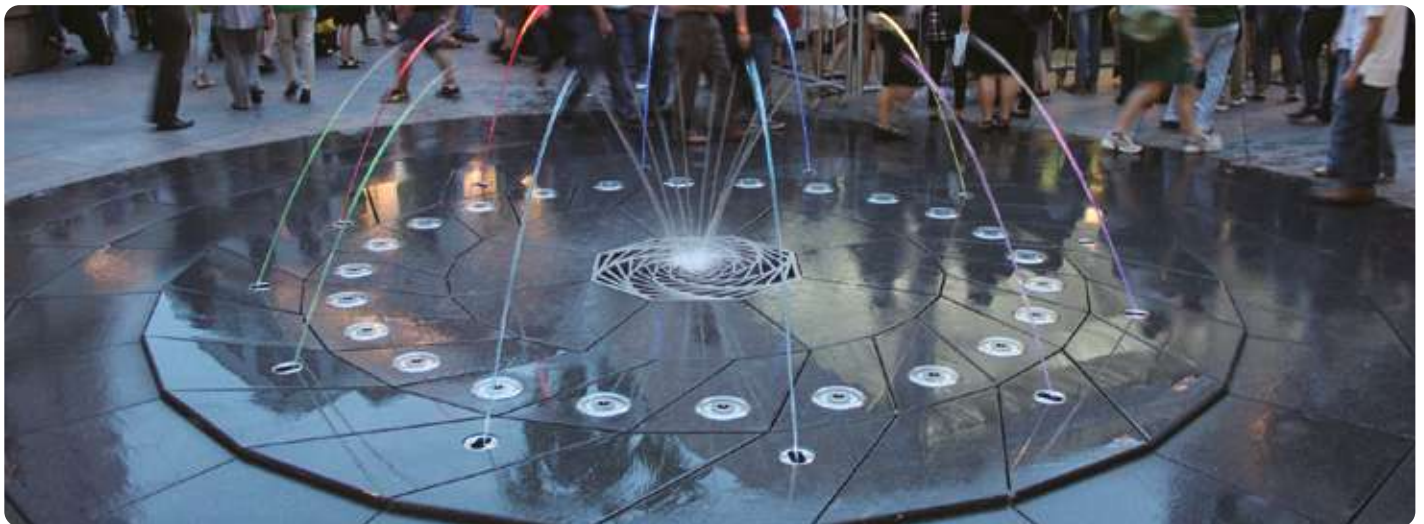
Water Parabolas



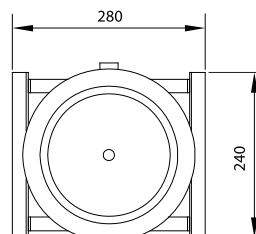
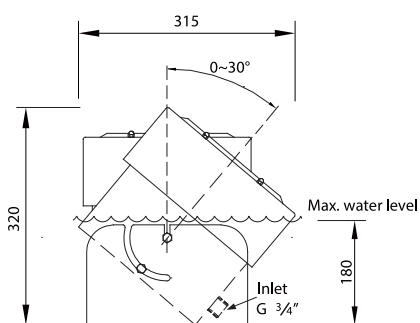
Z20-12 Jumping Jet Specifications

- Effect: laminar water
- Function: cut off
- Orifice: 12mm
- Vertical pivoting range: 0-30°
- Max. pressure: 0.5bar
- Max. flow rate: 50l/min
- Max. water depth: 180mm
- Rated voltage of stepper motor: 24V DC
- Current of stepper motor: 2.1A
- Rated voltage of LED light: 24V DC
- Rated power of LED light: 3W
- Light type: LED RGB / white light
- Power cable for LED light: 3m STW 18AWG
- Power cable for stepper motor: 3m STW 18AWG
- Material: stainless steel AISI 316
- Weight: 20kg

Example of application



Dimensions



Characteristics	Z20-12
Rated voltage	24VDC
LED rated power	3W
Power Cable	3m STW 18AWG
Vertical pivoting range	0-30°
Weight	20kg
Orifice	12 mm
Max flow rate	50 ltr/min
Material	Stainless Steel

Rainbow Fountain

Z40-16 Jumping Jet



Water Parabolas



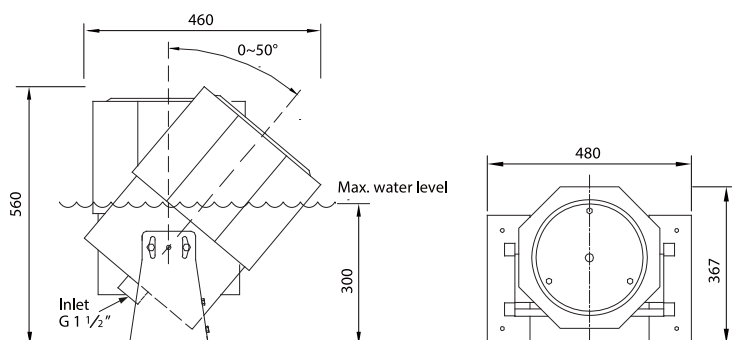
Z40-16 Jumping Jet Specifications

- Effect: laminar water
- Function: cut off
- Orifice: 16mm
- Vertical pivoting range: 0 - 50 °
- Max. pressure: 0.7bar
- Max. flow rate: 84 l/min
- Max. water depth: 300mm
- Rated voltage of stepper motor: 24V DC
- Current of stepper motor: 2.4A
- Rated voltage of LED light: 24V DC
- Rated power of LED light: 3W
- Light type: LED RGB / white light
- Power cable for LED light: 3m STW 18AWG
- Power cable for stepper motor: 3m STW 18AWG
- Material: stainless steel AISI 316
- Weight: 38kg

Example of application



Dimensions



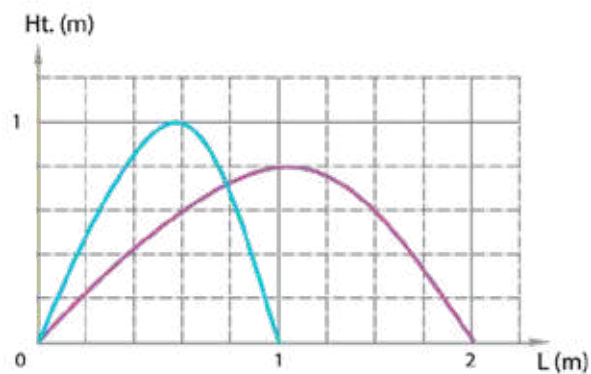
Characteristics	Z40-16
Rated voltage	24VDC
LED rated power	3W
Power Cable	3m STW 18AWG
Vertical pivoting range	0-50°
Weight	38kg
Orifice	16 mm
Max flow rate	84 ltr/min
Material	Stainless Steel

Rainbow Fountain

Z20-8 Laminar Jet



Water Parabolas



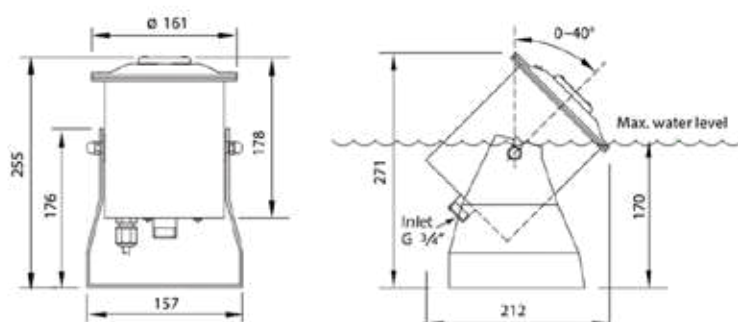
Z20-8 Laminar Jet Specifications

- Effect: laminar water
- Orifice: 8mm
- Vertical pivoting range: 0 -40°
- Max. pressure: 0.3bar
- Max. flow rate: 25 l/min
- Max. water depth: 170mm
- Rated voltage of LED light: 24V DC
- Rated power of LED light: 3W
- Light type: LED RGB / white light
- Power cable for LED light: 3m STW 18AWG
- Material: stainless steel AISI 316
- Weight: 6.8kg

Example of application



Dimensions



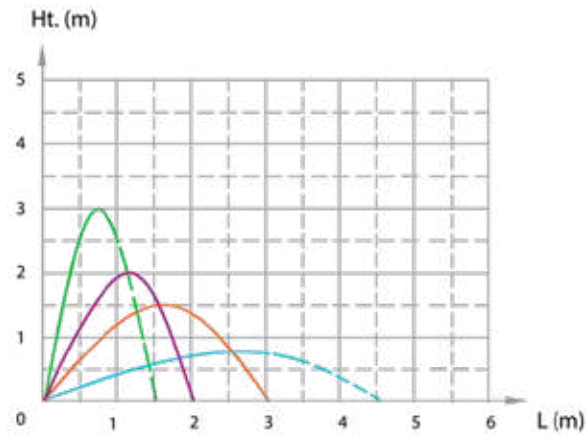
Characteristics	Z20-8
Rated voltage	24VDC
LED rated power	3W
Power Cable	3m STW 18AWG
Vertical pivoting range	0-40°
Weight	6.8kg
Orifice	8 mm
Max flow rate	25 ltr/min
Material	Stainless Steel

Rainbow Fountain

Z20L-12 Laminar Jet



Water Parabolas



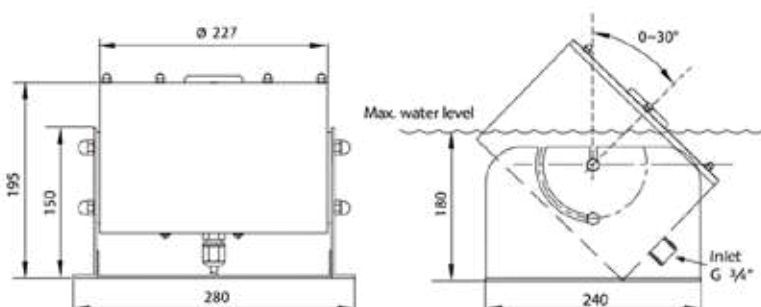
Z20L-12 Laminar Jet Specifications

- Effect: laminar water
- Orifice: 12mm
- Vertical pivoting range: 0 ~ 30°
- Max. pressure: 0.5bar
- Max. flow rate: 50 l/min
- Max. water depth: 180mm
- Rated voltage of LED light: 24V DC
- Rated power of LED light: 3W
- Light type: LED RGB / white light
- Power cable for LED light: 3m STW 18AWG
- Material: stainless steel AISI 316
- Weight: 17kg

Example of application



Dimensions



Characteristics	Z20L-12
Rated voltage	24VDC
LED rated power	3W
Power Cable	3m STW 18AWG
Vertical pivoting range	0-30°
Weight	17kg
Orifice	12 mm
Max flow rate	50 ltr/min
Material	Stainless Steel

Rainbow Fountain

LED Foam Effect Nozzle



LED Foam Effect Nozzle

Color Cascade Bubbler nozzle with LED provides vivid mix of color or elegant white. Perfect showcasing for water features at entrance and for step water features. Low voltage and minimal water flow requirement make them an ideal energy efficient additions to waterscapes.

LED Foam Effect Nozzle Specification

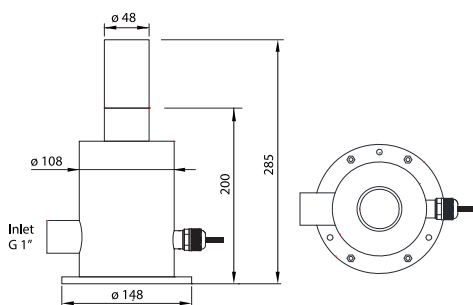
- Located 50mm under water level
- Light type: LED RGB / white light
- Rated voltage: 24 VDC
- Rated power 3W
- Weight 3.6kg
- Power cable for LED light 3m STW 18AWG
- Stainless steel AISI 316 construction with Acrylic nozzle

Example of application



Code	BSP.connection	Flow/Head	SPRAY HEIGHT (m)				
			0,15	0,25	0,35	0,5	0,6
ZFL 35-40	1"	LPM	40	50	58	65	72
		Head in mtr	1,5	2,1	2,9	3,7	4,6

Dimensions



ZFL 35-40

ZFL 35-40 LED Foam Nozzle

Characteristics	ZFL 35-40
Rated voltage	24VDC
LED rated power	3W
Power Cable	3m STW 18AWG
Weight	3.6kg
Material	Stainless Steel 316 with Acrylic Nozzle

Ornamental Water Features

LED Bubblers

LED Bubblers

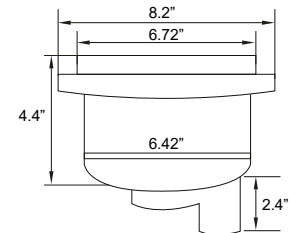
LED Bubblers is an impressive water feature which shoots beautiful streams of water into the air in a striking display of LED colours. An excellent water feature for beach entries, ponds, fountains and many more possibilities. This bubbler can be installed in concrete, liner & fiberglass pools.

Features

- Very Bright & Efficient LED Light
- Uses 8W (4" Bubbler) & 20W (8" Bubbler) for high output LED performance
- Flush finish installation
- Totally serviceable from the top
- The LED light is 10 - 30 cm below water level
- Non-metallic design: no bonding, no grounding



Code	Description
9600-0402	4" LED Bubbler Body Kit for Concrete Pools
9600-0403	4" LED Bubbler Body Kit for Liner / Fiberglass Pools
9600-0801	8" LED Bubbler Full Set for Concrete Pools
9600-0803	8" LED Bubbler Body Kit for Liner Pools



8" LED Bubbler Dimensions

Specifications

- 3/4" or 1/2" Adjustable Eyeball
- 10 - 40 GPM
- 12V AC

1 Beam-Focusing Lens

Our unique beam-focusing lens design focuses the light directly on the bubbler "flume," concentrating every photon for maximum LED light transfer and eye popping brightness.

2 Smart Sync™ Technology

Smart Sync programming to synchronize with lighting and controls from major pool OEMs.

3 IP68 Waterproof Quick Disconnect

Use the waterproof quick-disconnect cord to remove the light module for service or winterization without pulling up to 150 feet of cord.

4 Minimalist, flush installation

The 4"/8" LED Bubbler installs flush with the pool floor in a gunite pool with the housing completely hidden from view for a clean installed appearance.

5 Directional Nozzle

Take control over flume direction, even on inclined beach entries. Every kit also includes nozzle reducers for perfect flow adjustment.

6 Gunite, Fiberglass & Vinyl Installation

Vinyl / Fiberglass kits are available in five different colors to match and complement any pool finish. Attaches using heavy duty brass inserts in the Bubbler body for a secure and durable installation.

Rainbow Fountain

Deck Jet



ZDJ25C



ZDJ35S

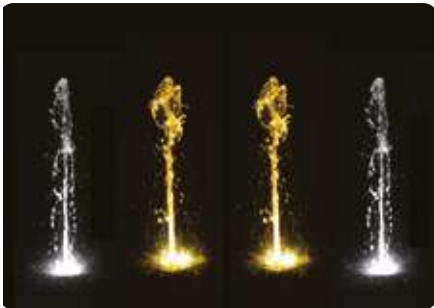
Circular / Square Deck Jets

Flush mounted Deck Jet Nozzle in two shapes, Circular and Square. Nozzle assembly with 360 deg illuminating LED includes different spray effect upon selection of nozzle (Column or Angle Ring). LED-Nozzle assembly suitable for dry deck fountain where there is no visible water body but sprayed from nozzles and drained through grate cover surrounding the nozzle assembly.

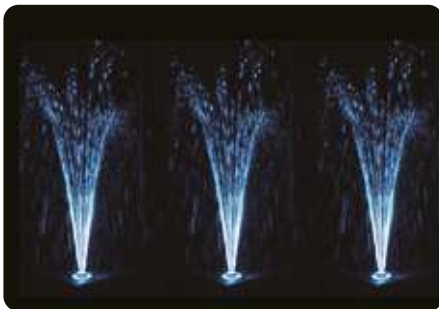
Deck Jet Specifications

- **Shape:** Circular or Square suspended Deck Jets
- **Construction:** AISI 316 Stainless Steel
- **Central Interchangeable Flush Nozzle:** Column Nozzle / Angle Ring Nozzle
- **LED Light Type:** Three Types
Type 1: AYP36WW/CW (3000K/ 6000K)
Type 2: AYP36RGB (RGB 3 in 1)
Type 3: DMX182RGB (RGB 4 in 1)
- **Drain:** Pre-attached to nozzle assembly.
- **Fixing:** Designed for mount and anchored on paver.
- **LED light cable:** 3m STW 18AWG

Performance of Deck Jet (Column Nozzle)



Performance of Deck Jet (Angle Ring Nozzle)



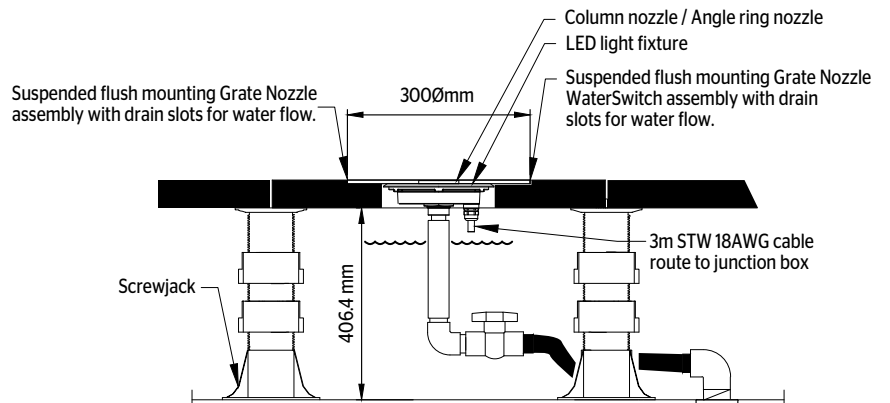
Deck Jet Column Nozzle ZDJ25C / ZDJ35S

Code	BSP. connection	Flow/Head	SPRAY HEIGHT (m)						
			1	1,5	2	2,5	3	3,5	4
ZDJ25C or ZDJ35S	1"	LPM	25	30	35	40	45	60	65
		Head in mtr	1,5	2,5	3	3,5	5	5,5	7

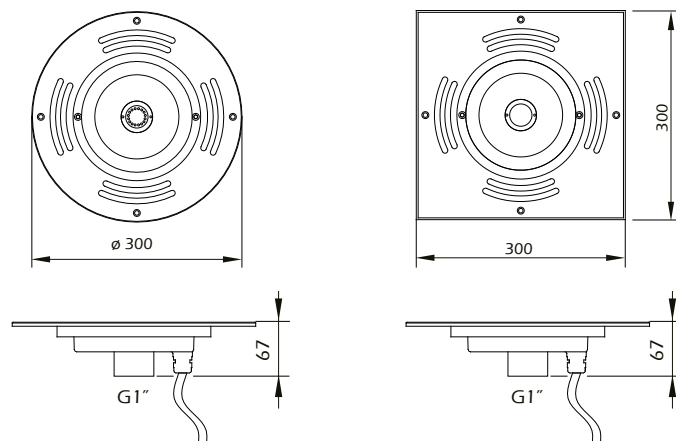
Deck Jet Angle Ring Nozzle ZDJ25C / ZDJ35S

Code	BSP. connection	Flow/Head	SPRAY HEIGHT (m)					
			1	1,5	2	2,5	3	3,5
ZDJ25C or ZDJ35S	1"	LPM	20	25	30	35	40	45
		Head in mtr	1	1,7	2,5	3,5	4,5	5,5

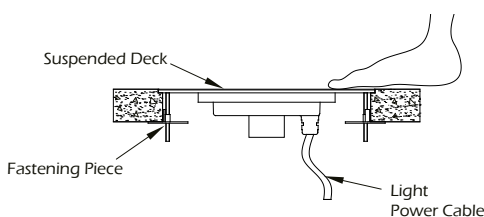
Atecpool installation diagram: Deck Jet



Dimensions



Nozzle mounted on paver



Rainbow Fountain

Deck Jet with WaterSwitch



ZDJWS25C



ZDJWS35S

Circular / Square Deck Jets with WaterSwitch

Flush mounted Deck Jet Nozzle in two shapes, Circular and Square. Nozzle assembly with 360 deg illuminating LED includes programmable (on-off) Waterswitch spray effect. LED-Nozzle assembly suitable for dry deck fountain where there is no visible water body but sprayed from nozzles and drained through grate cover surrounding the nozzle assembly.

Atecpool Deck Jet + WaterSwitch Specifications

- **Shape:** Circular or Square suspended Deck Jets with WaterSwitch
- **Deck Jet Construction:** AISI 316 Stainless Steel
- **WaterSwitch Construction:** ABS with AISI 316 stainless steel mount
- **Central Interchangeable Flush Nozzle:** Column Nozzle/Angle Ring Nozzle
- **LED Light Type:** Three Types
Type 1: AYP36WW/CW (3000K/ 6000K)
Type 2: AYP36RGB (RGB 3 in 1)
Type 3: DMX182RGB (RGB 4 in 1)
- **Drain:** Pre-attached to nozzle assembly.
- **Fixing:** Designed for mount and anchored on paver.
- **LED light cable:** 3m STW 18AWG

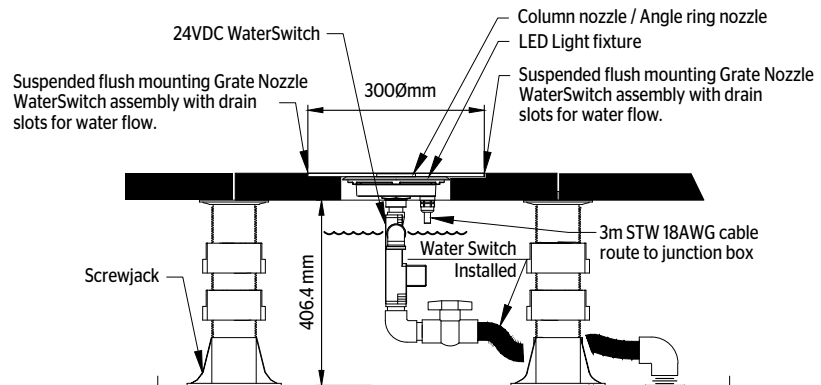
Deck Jet with WaterSwitch Column Nozzle ZDJWS25C / ZDJWS35S

Code	BSP connection	Flow/Head	SPRAY HEIGHT (m)								
			1	1,5	2	2,5	3	3,5	4	4,5	5
ZDJWS25C or ZDJWS35S	1"	LPM	33	40	46	50	56	61	69	72	75
		Head in mtr	6	8,5	11	13,5	14,5	18,5	23	25	26,5

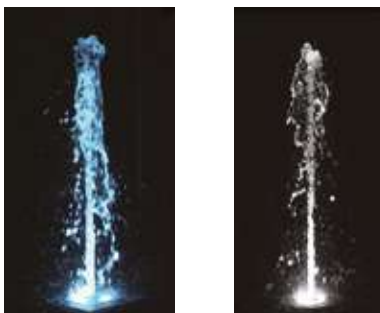
Deck Jet with WaterSwitch Angle Ring Nozzle ZDJWS25C / ZDJWS35S

Code	BSP connection	Flow/Head	SPRAY HEIGHT (m)					
			0,5	1	1,5	2	2,5	3
ZDJWS25C or ZDJWS35S	1"	LPM	25	37	50	55	63	80
		Head in mtr	4	7	12	14	16	25

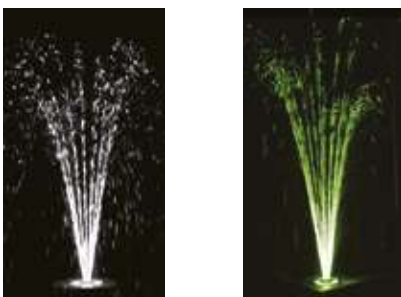
Atecpool installation diagram: Deck Jet + Water Switch



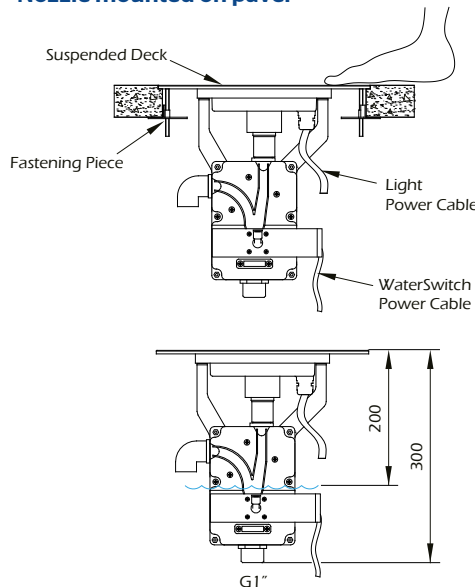
Performance of Deck Jet (Column Nozzle)



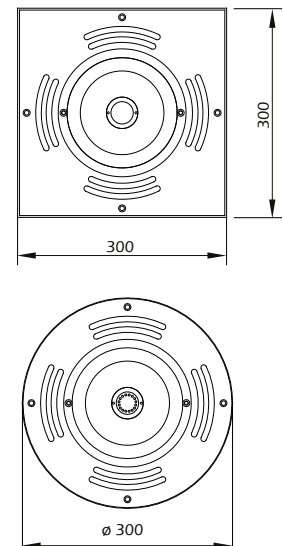
Performance of Deck Jet (Angle Ring Nozzle)



Nozzle mounted on paver



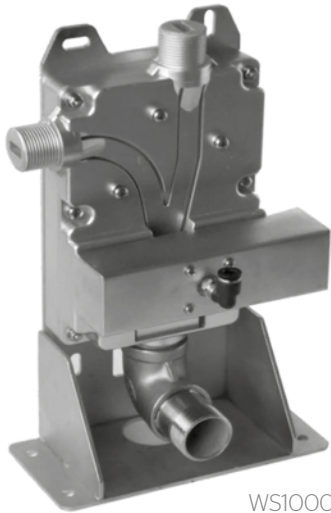
Dimensions



Rainbow Fountain WaterSwitch

WS1000/ WS1500 WaterSwitch

WaterSwitch is a special shifter which can produce dynamic spray variation, designed and engineered for fast acting, electrically operated directional water changing assembly. WaterSwitch allows on-off programming of an attached spray nozzle. Interactive fountain displays with programmable WaterSwitch gives various harmonious water effects.



WS1000

WaterSwitch Specifications

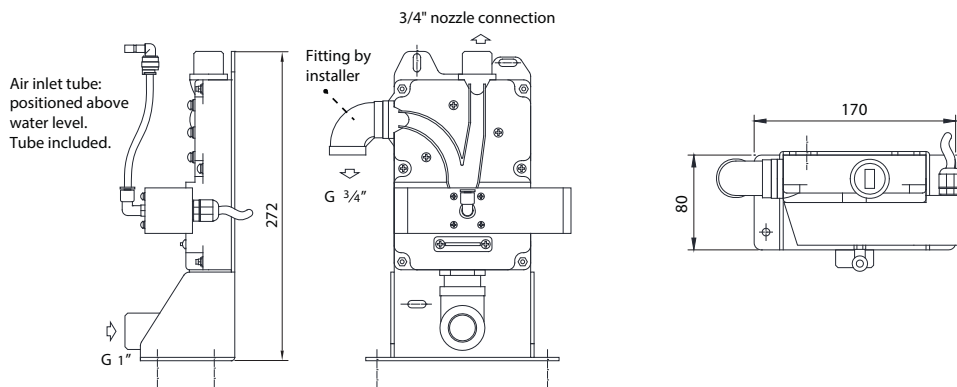
- Construction : ABS with AISI 316 stainless steel mount
- WS1000 with Inlet Connection 1" and two Discharge Connections of 3/4".
- WS1500 with Inlet Connection 1.5" and two Discharge Connections of 1.5".
- 24VDC 10W Solenoid valve, actuation speed up to 1/12 second
- Can be mounted on ground or suspended on horizontal or vertical bracket
- 3 meter cable SJTOW 18AWG

Code	Description	Inlet	Outlet (2 nos)
WS1000	WaterSwitch 24VDC/10W	1"	3/4"
WS1500	WaterSwitch 24VDC/10W	1.5"	1.5"

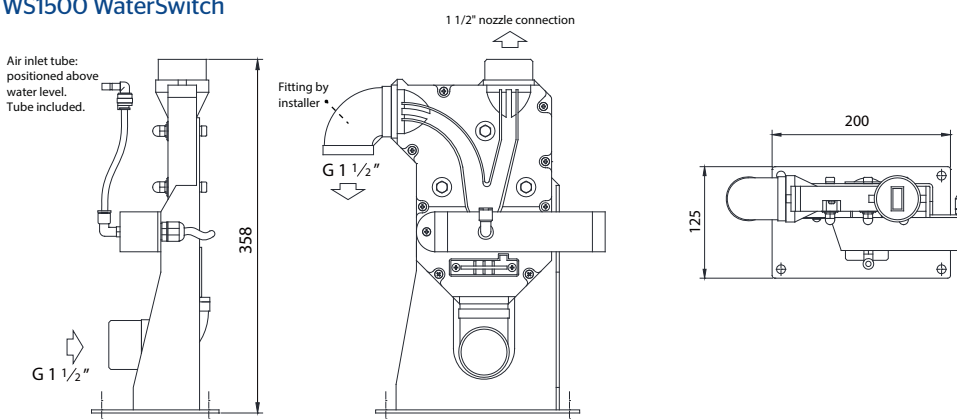
Characteristics	WS1000	WS1500
Rated voltage	24VDC	24VDC
Power Consumption	10W	10W
Power Cable	3m STW 18/ 3AWG	3m STW 18/ 3AWG
Switching Speed	1/12 seconds	1/12 seconds
Weight	2.9kg	3.8kg
Inlet connection	1"	1.5"
Outlet connection (2 nos)	3/4"	1.5"

Dimensions

WS1000 WaterSwitch



WS1500 WaterSwitch



Rainbow Fountain

WaterSwitch Assembly

WaterSwitch WS1000 Assembly

WaterSwitch assembly requires nozzle, pump and control systems. Assembly can also include Ring Fountain LED. Fine screening of nozzles is required and mesh size of 0.4 mm or smaller required for debris removal at nozzle.



WS1000



WaterSwitch WS1000
with Finger Nozzle

Code	BSP.connection	Flow/Head	SPRAY HEIGHT (m)					
			0,5	1	1,5	2	2,5	3
ZR25	1"	LPM	24	35	50	55	60	70
		Pressure demand (Bar)	0,2	0,7	1,2	1,6	1,9	2,6



WaterSwitch WS1000
with Comet Nozzle

Code	BSP.connection	Flow/Head	SPRAY HEIGHT (m)						
			1	1,5	2	3	4	5	6
ZF 25-12	1"	LPM	25	34	37	47	58	68	75
		Pressure demand (Bar)	0,5	0,6	0,8	1,2	1,8	2,4	3
ZF 40-13	1,5"	LPM	33	40	47	60	70	80	
		Pressure demand (Bar)	0,5	0,8	1,1	1,7	2,2	2,8	
ZF 40-16	1,5"	LPM	44	52	60	78			
		Pressure demand (Bar)	1	1,5	2	3			



WaterSwitch WS1000
with Foam Nozzle

Code	BSP.connection	Flow/Head	SPRAY HEIGHT (m)							
			0,5	1	1,5	2	2,5	3	3,5	4
ZM 15	1/2"	LPM	21	33	40	46	52	59	65	70
		Pressure demand (Bar)	0,3	0,6	0,9	1,2	1,4	1,8	2,2	2,5
ZM 20	3/4"	LPM	26	37	44	50	55	63	78	
		Pressure demand (Bar)	0,4	0,7	1	1,4	1,7	2,1	3	
ZM 25	1"	LPM	42	60	70					
		Pressure demand (Bar)	1	2	2,6					

Rainbow Fountain

WaterSwitch Assembly

WaterSwitch WS1500 Assembly

WaterSwitch assembly requires nozzle, pump and control systems. Assembly can also include Ring Fountain LED. Fine screening of nozzles is required and mesh size of 0.4 mm or smaller required for debris removal at nozzle.



WS1500



WaterSwitch WS1500
with Annular Nozzle

Code	BSP.connection	Flow/Head	SPRAY HEIGHT (m)					
			1	2	3	4	5	
ZA 25	1"	LPM			90	107	150	
		Pressure demand (Bar)			1	1,3	2,2	
ZA 40	1.5"	LPM		80	95	112		
		Pressure demand (Bar)		0,8	1,1	1,4		



WaterSwitch WS1500
with Comet Nozzle

Code	BSP.connection	Flow/Head	SPRAY HEIGHT (m)						
			4	4,5	5	6	7	8	9
ZF 40-13	1.5"	LPM	90	97	117	125	135	155	190
		Pressure demand (Bar)	1	1,1	1,5	1,7	1,9	2,3	3,4
ZF 40-16	1.5"	LPM	100	115	123	130	150	190	220
		Pressure demand (Bar)	1,25	1,5	1,6	1,85	2,15	3,4	4,2



WaterSwitch WS1500
with Foam Nozzle

Code	BSP.connection	Flow/Head	SPRAY HEIGHT (m)								
			0,5	0,75	1	1,5	2	2,5	3	3,5	4
ZM 20	3/4"	LPM						90	100	106	111
		Pressure demand (Bar)						1	1,1	1,2	1,4
ZM 25	1"	LPM		80	92	100	110	125	140	154	162
		Pressure demand (Bar)		0,8	1,1	1,3	1,5	1,7	1,9	2,3	2,7
ZM 40	1.5"	LPM		82	108	120	140	160	190		
		Pressure demand (Bar)		0,8	1,4	1,65	2	2,4	3,4		

Rainbow Fountain Lighting

Fountain Ring LED - AYP Series



AYP27RGB



AYP36RGB

Atecpool Fountain Ring LED Lights - AYP Series

Atecpool AYP HP Series is the ultimate lighting solution for all animated fountains. The ring lights spot a G 1.5" threaded connection at its centre where a nozzle can be directly attached. With a 10mm thick tempered glass cover and a IK rating of 9, the underwater ring light is perfect fixture when used totally immersed in water fountains. AYP High Power Series lights can be programmed to dim, colour- change and synchronize to create infinite combinations of kaleidoscopic displays. Ideal for underwater usage.



Specifications

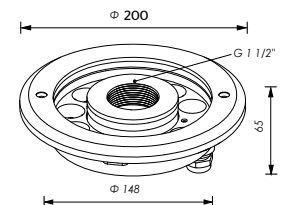
- Housing: Stainless Steel AISI 316 grade.
- Gasket: silicone gasket
- Light Window: step tempered glass T=10mm.
- Cable gland: IP-68 PG-11 copper with nickel-coated.
- IK rate: 09
- Power cable: 3m STW 18AWG
- PCB: excellent heat conductivity aluminum, coefficient of heat conductivity > 2.0w/mk
- Application environment: Water temp. between -20C° - 50C° less than 1 meter depth
- Underwater lighting fixture, to be submerged



AYP27 Specifications

Code	Description	Beam Angle	Input Voltage (V)	Power (W)	Lumen (lm)	Color Temperature
AYP27WW	AYP 9 LED Warm White	30°	12VAC	9x3	1880	3000K / Warm White
AYP27CW	AYP 9 LED Cool White	30°	12VAC	9x3	2120	6500K / Cool White
AYP27RGB	AYP 9 LED RGB	30°	24V DC	9x3	1450	RGB (3 in 1)

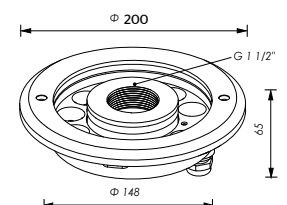
Dimension for AYP27RGB



AYP36 Specifications

Code	Description	Beam Angle	Input Voltage (V)	Power (W)	Lumen (lm)	Color Temperature
AYP36WW	AYP 12 LED Warm White	30°	12VAC	12x3	2600	3000K / Warm White
AYP36CW	AYP 12 LED Cool White	30°	12VAC	12x3	3300	6500K / Cool White
AYP36RGB	AYP 12 LED RGB	30°	24V DC	12x3	1750	RGB (3 in 1)

Dimension for AYP36RGB



Rainbow Fountain Lighting

Fountain Ring LED - DMX Series



DMX182RGB

Atecpool Fountain Ring LED Lights - DMX Series

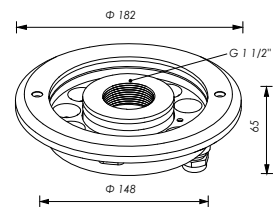
Atecpool DMX Series, DMX controlled light is the top end lighting solution for all animated fountains. The ring lights spot a G 1 1/2" threaded connection at its centre where a nozzle can be directly attached. With a 10mm thick tempered glass cover and a IK rating of 9, the underwater ring light is perfect fixture for dry deck fountains. DMX Series lights can be programmed with DMX512 / RDM signals to dim, colour- change and synchronize to create infinite combinations of kaleidoscopic displays.



Specifications

- Housing: Stainless Steel AISI 316 grade.
- Light Window: step tempered glass. T=10mm.
- Cable gland: IP-68 PG-11 copper with nickel-coated.
- PCB: excellent heat conductivity aluminum, coefficient of heat conductivity $\geq 2.0\text{W/mk}$.
- Application environment: water temperature between -20C° - 50C° less than 1 meter depth.
- Power cable: 3m STW 18AWG
- IK rate: 9
- Signal type: DMX512/RDM signal

Dimension for DMX182RGB



Illuminance at a distance DMX182RGB

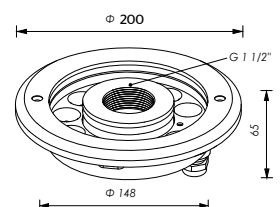
Distance (m)	Center Beam (LUX)	Angle	Beam Width	
			(V)	(H)
2m	1124.77 LUX		0.8m	0.8m
4m	281.19 LUX		1.6m	1.7m
6m	124.97 LUX		2.4m	2.5m
8m	70.30 LUX		3.3m	3.3m
10m	44.99 LUX		4.1m	4.1m
12m	31.24 LUX		4.9m	5.0m

Illuminance at a distance DMX200RGB

Distance (m)	Center Beam (LUX)	Angle	Beam Width	
			(V)	(H)
2m	1124.77 LUX		0.8m	0.8m
4m	281.19 LUX		1.6m	1.7m
6m	124.97 LUX		2.4m	2.5m
8m	70.30 LUX		3.3m	3.3m
10m	44.99 LUX		4.1m	4.1m
12m	31.24 LUX		4.9m	5.0m

Code	Description	Beam Angle	Input Voltage (V)	Typical Operating Current (mA)	Typical Consumption (W)	Typical luminance (lm)	IK rate
DMX182RGB	DMX 6x4W RGBW 4in1 Full color	25°	24V DC	916	22	1127	9
DMX200RGB		25°	24V DC	916	22	1127	9

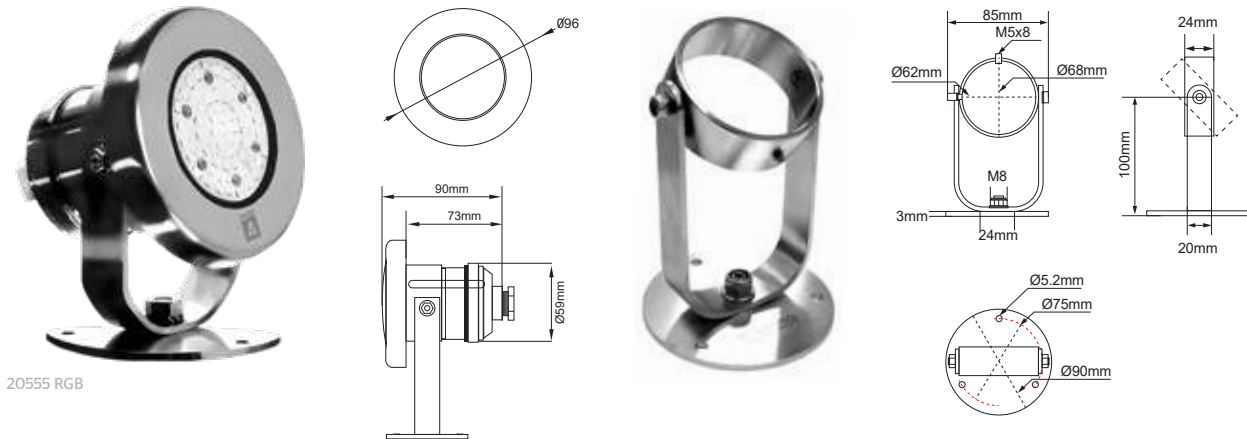
Dimension for DMX200RGB



Rainbow Fountain Lighting

Atecpool Lumina Fountain LED Panel Lighting S.S. 316

Lumina Fountain lighting in stainless steel AISI 316 construction. Supplied with S.S. Stand. Fully resin filled panel LED offering sixteen colour changing function in RGB mode. Light available in RGB, Cool White, Warm White and Blue colour options. RGB Lights are synchronized using Atecpool LED Modulators with remote control system. Maximum power consumption of 9W and can be connected to a 12V/AC transformer.



20555 RGB

LED Modulator



2 CORE
connection
-WITH REMOTE CONTROL-

Specifications

- Electrical Connection: 12V AC
- Complete with 2 core 2x1.0 mm² cable
- Material of construction: S.S. AISI 316
- Protection Class: IP68
- Lamp Life: Approx. 60.000 hrs
- Supplied with 2 mtr cable
- 16 programs with synchronized capability

Features

- Consumes 90% less energy than traditional lighting.
- Eco-friendly, no radiation.
- Low power consumption, low heat dissipation.
- Light transmission rate up to 92%.
- PWM technology adopted
- Adjustable angle stand AISI 316

Code	Model	Power / Voltage	Lumen (lm)	Color Temperature
20555RGB	Lumina Fountain LED S.S RGB	9W / 12V	400	RGB 16 Mode
20555CW	Lumina Fountain LED S.S Cool White	9W / 12V	720	6500K
20555WW	Lumina Fountain LED S.S Warm White	9W / 12V	640	2700K
20555B	Lumina Fountain LED S.S Blue	9W / 12V	220	Single Blue



Easy Colour
Picker



Fast Return on
Investment



International
Safety Tested
IEC EN 60598-2-18



**Lumina Fountain LED Lighting
Stainless Steel 316**

**2 years
warranty**

Fountain Spot & XL Series LED

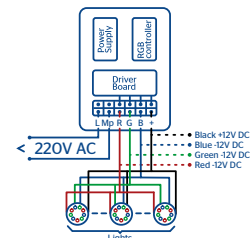
Stainless Steel 316

Atecpool Fountain LED Lights - Spot & XL Series

Ideal for use in fountains, ponds, cascades and illumination of water based landscape features. Construction in AISI 316 Stainless Steel. Waterproof IP68. Available in cool white, warm white, red, green, blue and RGB.

Specifications

- Driver: constant current output
- Single colour LED = 1 circuit output: RGB 3 in 1 LED=3 circuit output
- IP range: IP68
- Lifespan: > 50000 hrs
- Application environment: Temperature of water between 20°C - 40°C
- Power cable: HO7RN-F 2X1.0 mm² L=3m (for single colour) HO7RN-F 4X0.75 mm² L=3m (RGB)

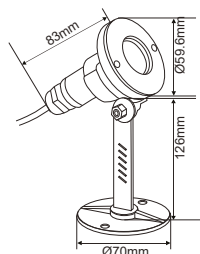


4 Core Modulator used only with RGB model

Fountain Spot LED Light



ATZ1573 CW

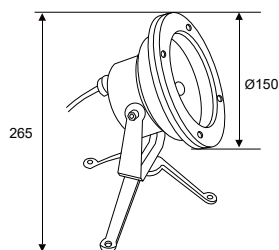


Code	Description	Power / Voltage	Lumen
ATZ1573 CW	Fountain Spot LED Cool White	1x3W / 12V AC	280
ATZ1574 WW	Fountain Spot LED Warm White	1x3W / 12V AC	190
ATZ1575 R	Fountain Spot LED Red	1x3W / 12V AC	60
ATZ1575 G	Fountain Spot LED Green	1x3W / 12V AC	80
ATZ1575 B	Fountain Spot LED Blue	1x3W / 12V AC	55
ATZ1578 RGB	Fountain Spot LED RGB	1x3W / 24V DC	145

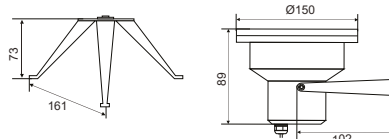
Fountain XL 6 LED Light



ATZ1577 CW



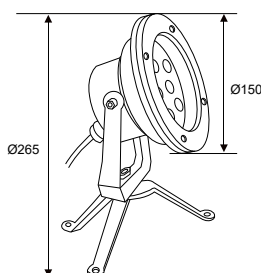
Code	Description	Power / Voltage	Lumen
ATZ1577 CW	Fountain 6 LED XL Series Cool White	6x3W / 12V AC	1750
ATZ1578 WW	Fountain 6 LED XL Series Warm White	6x3W / 12V AC	1400
ATZ1579 R	Fountain 6 LED XL Series Red	6x3W / 12V AC	440
ATZ1579 G	Fountain 6 LED XL Series Green	6x3W / 12V AC	470
ATZ1579 B	Fountain 6 LED XL Series Blue	6x3W / 12V AC	380
ATZ1580 RGB	Fountain 6 LED XL Series RGB	6x3W / 24V DC	925



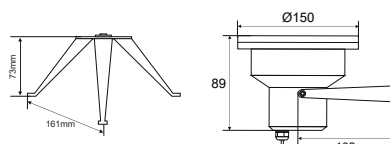
Fountain XLS 9 LED Light



ATZ1581 CW



Code	Description	Power / Voltage	Lumen
ATZ1581 CW	Fountain 9 LED XLS Series Cool White	9x3W / 12V AC	2100
ATZ1582 WW	Fountain 9 LED XLS Series Warm White	9x3W / 12V AC	1880
ATZ1583 R	Fountain 9 LED XLS Series Red	9x3W / 12V AC	680
ATZ1583 G	Fountain 9 LED XLS Series Green	9x3W / 12V AC	770
ATZ1583 B	Fountain 9 LED XLS Series Blue	9x3W / 12V AC	660
ATZ1584 RGB	Fountain 9 LED XLS Series RGB	9x3W / 24V DC	1450



Fountain CL & CLS Series LED

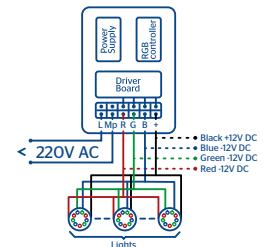
Stainless Steel 316

Atecpool Fountain LED Lights - CL & CLS Series

Ideal for use in fountains, ponds, cascades and illumination of water based landscape features. Construction in AISI 316 Stainless Steel. Waterproof IP68. Available in cool white, warm white, red, green, blue and RGB.

Specifications

- Driver: constant current output
- Single colour LED = 1 circuit output:
RGB 3 in 1 LED=3 circuit output
- IP range: IP68
- Lifespan: > 50000 hrs
- Application environment:
Temperature of water between
20°C - 40°C
- Power cable: HO7RN-F 2X1.0 mm²
L=3m (for single colour) HO7RN-F
4X0.75 mm² L=3m (RGB)

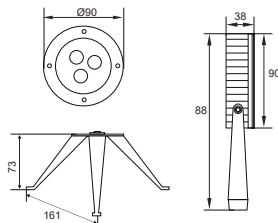


4 Core Modulator used only with RGB model

Fountain CL 3 LED Light



ATZ1595 CW

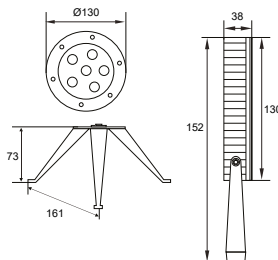


Code	Description	Power / Voltage	Lumen
ATZ1595 CW	Fountain CL 3 LED Cool White	3x3W / 12V AC	720
ATZ1596 WW	Fountain CL 3 LED Warm White	3x3W / 12V AC	640
ATZ1597 R	Fountain CL 3 LED Red	3x3W / 12V AC	345
ATZ1597 G	Fountain CL 3 LED Green	3x3W / 12V AC	390
ATZ1597 B	Fountain CL 3 LED Blue	3x3W / 12V AC	280
ATZ1598 RGB	Fountain CL 3 LED RGB	3x3W / 24V DC	450

Fountain CL 6 LED Light



ATZ1585 CW

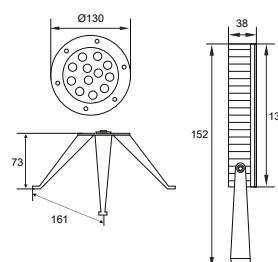


Code	Description	Power / Voltage	Lumen
ATZ1585 CW	Fountain CL 6 LED Cool White	6x3W / 12V AC	1750
ATZ1586 WW	Fountain CL 6 LED Warm White	6x3W / 12V AC	1400
ATZ1587 R	Fountain CL 6 LED Red	6x3W / 12V AC	440
ATZ1587 G	Fountain CL 6 LED Green	6x3W / 12V AC	470
ATZ1587 B	Fountain CL 6 LED Blue	6x3W / 12V AC	380
ATZ1588 RGB	Fountain CL 6 LED RGB	6x3W / 24V DC	925

Fountain CLS 12 LED Light



ATZ1589 CW



Code	Description	Power / Voltage	Lumen
ATZ1589 CW	Fountain CLS 12 LED Cool White	12x3W / 12V AC	3300
ATZ1590 WW	Fountain CLS 12 LED Warm White	12x3W / 12V AC	2600
ATZ1591 R	Fountain CLS 12 LED Red	12x3W / 12V AC	880
ATZ1591 G	Fountain CLS 12 LED Green	12x3W / 12V AC	950
ATZ1591 B	Fountain CLS 12 LED Blue	12x3W / 12V AC	790
ATZ1592 RGB	Fountain CLS 12 LED RGB	12x3W / 24V DC	1750

Fountain CLX HP Series LED

Stainless Steel 316



CLX36W

Atecpool Fountain LED Lights - CLX HP Series

Atecpool CLX HP stand spot light series offers unparalleled flexibility to match your creativity. The sturdy tripod design does not topple easily even when water movement is very agitated. The CLX HP Series comes in 12x3W (single color) and 6x5W (RGB) to suit a wide variety of applications and can be programmed to dim, colour-change and synchronize to create infinite combinations of kaleidoscopic displays.

Atecpool Fountain LED Lights - CLX HP Series Specifications

- Housing: Stainless Steel AISI 316
- Front cover: hard chrome plated stainless steel AISI 316
- Light Window: PMMA 8mm
- Gasket: silicone gasket
- Cable gland: IP-68 PG-11 copper with nickel-coated
- PCB: excellent heat conductivity aluminum, coefficient of heat conductivity $\geq 2.0 \text{ W/mK}$
- Application environment: temperature of water between -20°C - 50°C less than 1 meter depth
- Power cable: 3m STW 18AWG

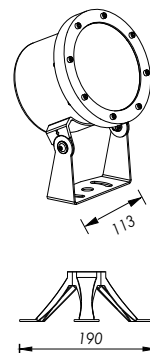


Illuminance at a distance CLX36W

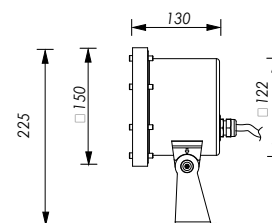
Distance (m)	Center Beam (LUX)	Angle	Beam Width	
			(V)	(H)
2m	2082.77 LUX		1.0m	0.9m
4m	520.69 LUX		1.9m	1.9m
6m	231.42 LUX		2.9m	2.8m
8m	130.17 LUX		3.9m	3.8m
10m	83.31 LUX		4.9m	4.7m
12m	57.85 LUX		5.8m	5.6m

Illuminance at a distance CLX30RGB

Distance (m)	Center Beam (LUX)	Angle	Beam Width	
			(V)	(H)
2m	508.05 LUX		1.1m	1.1m
4m	127.01 LUX		2.0m	2.1m
6m	56.45 LUX		3.2m	3.2m
8m	31.75 LUX		4.3m	4.2m
10m	20.32 LUX		5.3m	5.3m
12m	14.11 LUX		6.4m	6.3m



Type	Power	Beam Angle	Input Voltage (V)	Typical Operating Current (mA)	Typical Consumption (W)	Typical luminance (lm)	IK rate
CLX36W	12x3W	30°	24V DC	1600	38.4	Cool White: 3031 Warm white: 2668	10
CLX30RGB	6x5W RGB 3 in 1	30°	24V DC	1600	38.4	835	10



Rainbow Fountain

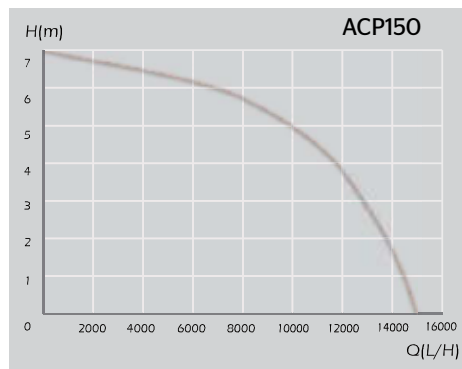
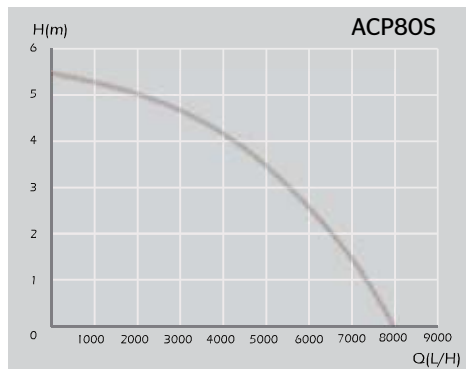
Controllable Submersible Pump



Atecpool Controllable Submersible Pump Specifications

- **Quiet and high efficient:** Brushless DC motor driven water pump, high efficient design of volute and impeller.
- **Dry running protection:** If pump is running without water, it will stop automatically to prevent failure from wear.
- **Over heat protection:** Pump will stop running if the motor temperature is high.
- **Over current protection:** To prevent motor failure from shorten.
- **DMX signal:** to control pump speed. Input DMX signal to control pump stop or start and adjust speed.
- **Stand-by model:** of lowest speed. Pump is run at lowest speed.
- **IP68,** submersible. Install submersed.
- **FOC driver precisely,** provides stable speed control
- **0.6 second speed ramp from stand-by mode to max speed:** Fastest speed reaction to ensure better fountain sense.

Performance curves



Example of application

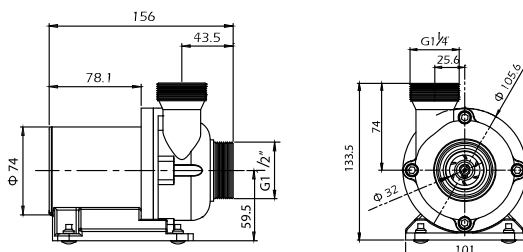


Code	Voltage	Power	Max Speed	Controlled by
ACP80S	24VDC	80W	3000rpm	DMX
ACP150	24VDC	150W	3000rpm	DMX

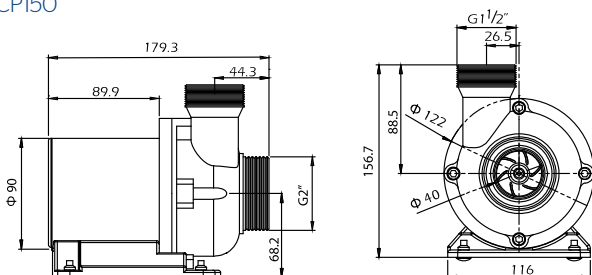
Pumps ACP80S and ACP150 work with 1" comet nozzle.

Pumps Dimensions

ACP80S



ACP150

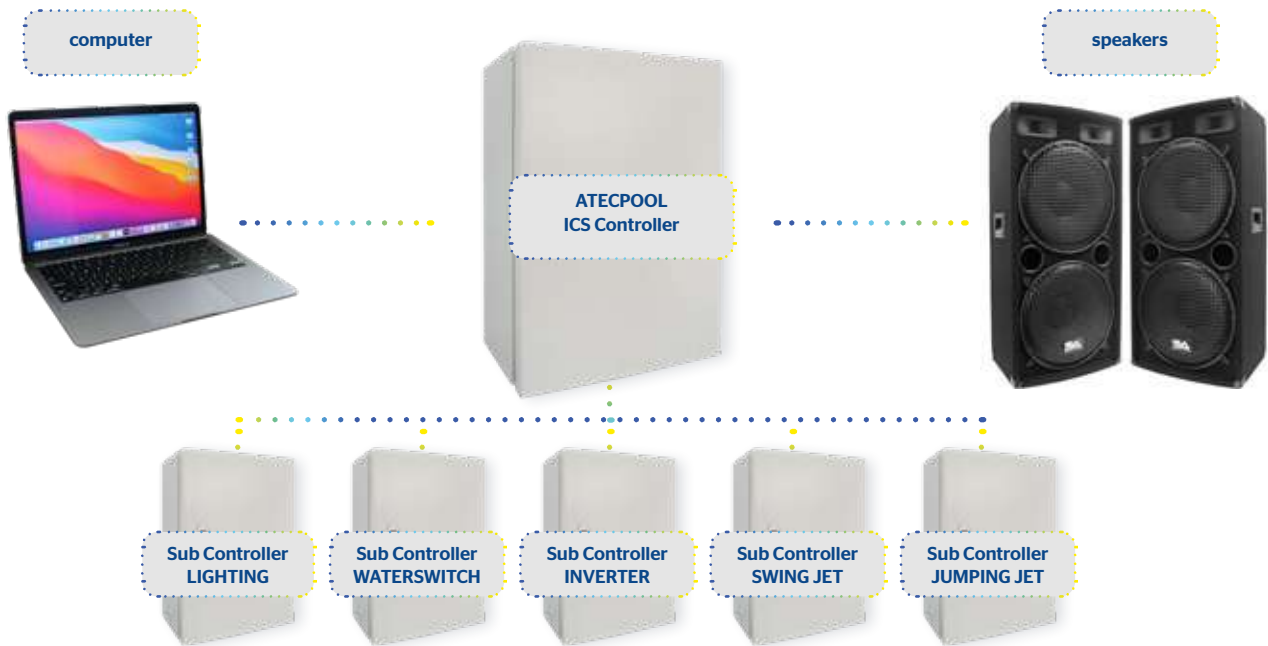


Controllable Submersible Pump

Characteristics	ACP80S	ACP150
Motor type	BLDC	BLDC
Control Signal	DMX	DMX
Q max	7000 l/h	13000 l/h
H max	5m	7m
Speed from 0% - 100%	0.6s	0.6s
Working Voltage	DC24V	DC24V
Max Immersion depth	1m	1m
Protection class	IP68	IP68
Max Power Input	80W	150W
Suction side connection	G1 1/2"	G2"
Outlet connection	G1 1/4"	G1 1/2"
Pump housing	Plastic	Plastic
Ambient temperature	less than 50°C	less than 50°C
Cable for DMX input	1.5m RVV 3x0.5 mm ²	1.5m RVV 3x0.5 mm ²
Cable for DMX output	1.5m RVV 3x0.5 mm ²	1.5m RVV 3x0.5 mm ²
Cable for pump	3m HO5RN-F 3x0.5 mm ²	3m HO5RN-F 3x0.5 mm ²
Cable for power input	1.5m HO5RN-F 2x0.75 mm ²	1.5m HO5RN-F 2x0.75 mm ²

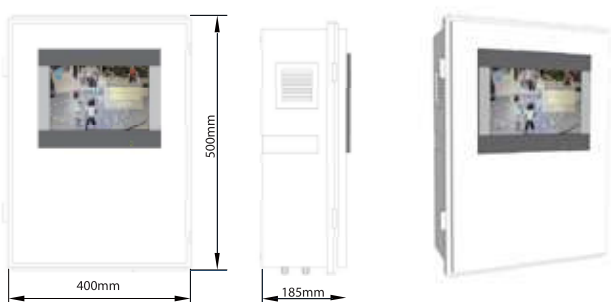
Rainbow Fountain

Controls - ICS (Integrated Control System)



Integrated Control System	ICS1024M	ICS1024	ICS1024M-2	ICS512-2
Dimensions (LxWxH)	400x185x500 mm		400x185x500 mm	
Weight	10.2 kg		10.2 kg	
Housing	ABS		ABS	
Protection Class	IP20		IP20	
Backup battery	3V lithium battery CR2032 x 1		-	
Backup battery life	3 years at 25°C may vary depending on usage and temp.		-	
Storage temperature	0-50°C		0-50°C	
Operation temperature	0-40°C / 0-80°C humidity non-condensed		0-40°C / 0-80°C humidity non-condensed	
Power Supply	220V AC		220V AC	
Outputs	16 x Digital out		8 x Digital out	
Inputs	16 x Digital in		12 x Digital in	
Memory	Micro SD-card for show files		Micro SD-card for show files	
Operation	(Human Machine Interface)		(Human Machine Interface)	
Audio	Yes	---	Yes	---
Standalone shows	ARC-stream file & audio file		WDS file	
Interface	2x512DMX channels for ICS1024M / ICS1024		2x512DMX channels for ICS1024M-2 / 1x512DMX channel for ICS512-2	
Scheduler	General 10 nos. / Special 1 no.		General 10 nos. / Special 1 no.	
Action manager & monitor	Event actions: digital inputs can be linked with actions (water level) and monitor		Event actions: digital inputs can be linked with actions (water level) and monitor	
Software	Windows XP or better		Windows 7 or better	

Controller Dimensions



Rainbow Fountain

Controls - DMX & RDM



N:Nano 512 / N:Nano 1024 Music

Atecpool rolls out its new DIN-rail fanless embedded systems with extra low power CPU chipset, the Nano 512 and Nano 1024 music. Compact unit supports wide temperature range and features DMX 512/1990 ports, isolated Ethernet port 10/100 Mbit, Micro SD card slot, 2x 16 LCD segment display. Its 8 x digital and 8 x analog I/O makes this unit the perfect tool for all stand alone fountain multimedia show installations. The DIN-rail hardware family is compatible to all Dependence architect or ultimate versions. Show Upload can be done via SD Card or local network. Windows Remote Live Panel Software and Service tools will be shipped with this package as well.



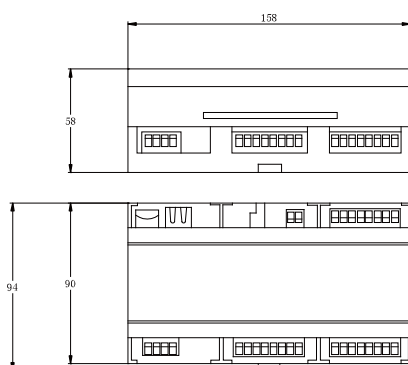
N:Nano 512 / N:Nano 1024 Music Controllers Specifications

- Standalone Multimedia Showplayer.
- 512/1024 DMX output channels.
- Audio Output (N:Nano 1024 only).
- Time Schedule with internal clock.
- Show upload via MicroSD-Card or Ethernet.
- 8x Digital Input and 8x Digital Output.
- DIN-Rail mounting.
- Live-Panel functionality via Remote Software.
- Easy to use front panel setup.
- ArtNET Node functionality.

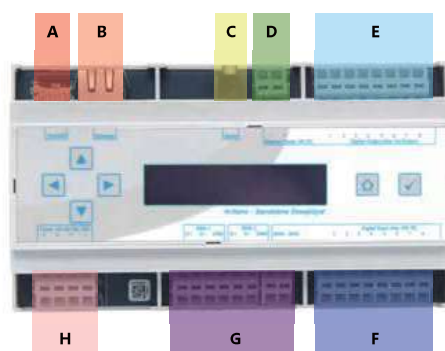


ATECPOOL DMX & RDM Controllers	N:Nano 512	N: Nano 1024 Music
Dimensions (LxWxH)	160x90x58 mm	
Weight	0.33 kg	
Housing	Polycarbonate light grey/white/blue for top-hat rail mounting	
Protection Class	IP20	
Power supply	15.24V DC / 8W	
Operation temperature	0-40°C / 0-80°C humidity non-condensed	
Certification	CE	
Outputs	DMX 512/1990 512 channel 8x digital out (clamps 24V DC/ 1A max, optically isolated)	DMX 512/1990 1024 channel 8x digital out (clamps 24V DC/ 1A max, optically isolated) 1 x Stereo Audio (3.5mm jack plug, galvanic isolated)
Inputs	8 x digital In (clamps 24V DC, optically isolated)	
Other connections	Ethernet RJ45 10/ 100Mbit)	
Memory	MicroSD-card	
Operation	2x16 segment LCD Display with 6 keys	

Dimensions



Slots



- A: Micro SD Card Slot (4GB included)
- B: Ethernet 10/100 Mbit-update shows, remote control
- C: Audio output 3.5 mm jack plug (only N:Nano 1024 Music)
- D: External power 24V DC
- E: 8x digital output max 1A/output
- G: DMX512/1990 (N:Nano512 - 512 channel / N:Nano 1024 Music - 1024 channel)
- H: Power input 15-24V DC, 8W



ATECPPOOL

WELLNESS

